

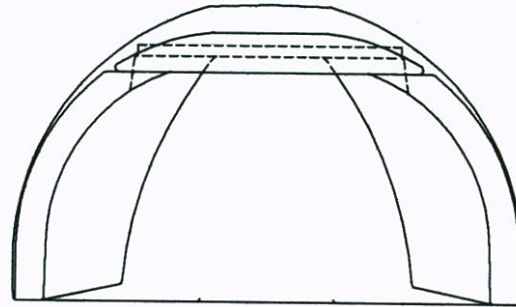


CIF
COMPOSITES INC.

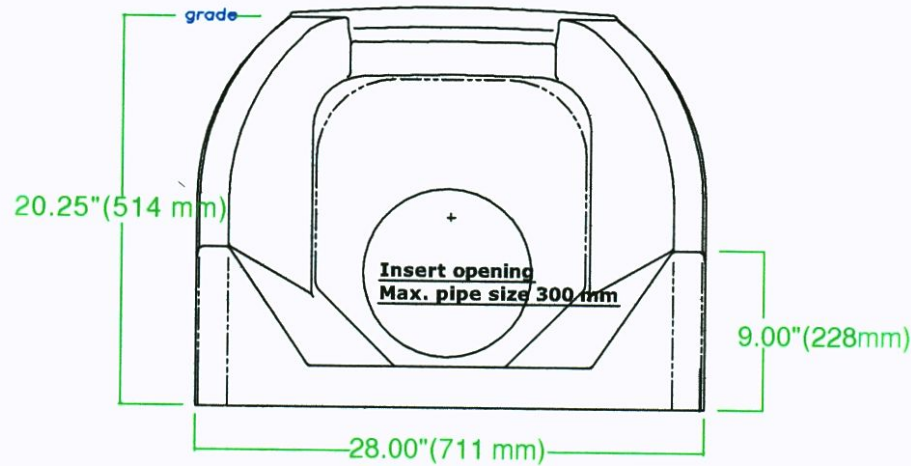
1.5 Series 45 degree FIXED SPIGOT Headwall Structure

CIF Product Code: 1.5FShd
Canadian Patent # 92136 - US Patent # 447,544

PRO-ECO-LITE™

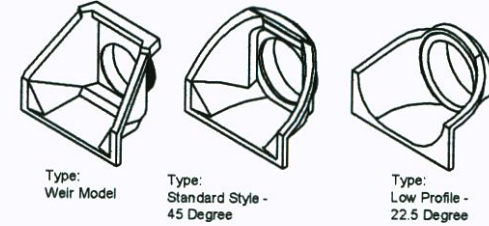


1.5FShd..... PLAN



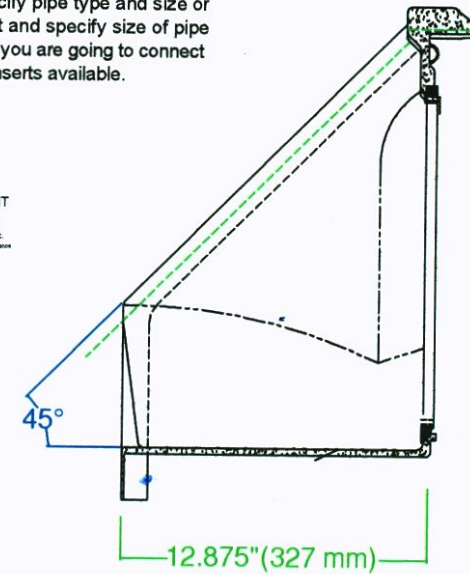
1.5FShd (1.5 Fixed Spigot Headwall Structure)

ELEVATION



FIXED SPIGOT : Specify pipe type and size or order generic FRP insert and specify size of pipe (inside dia.) of the pipe you are going to connect to. Only annular pipe inserts available.

IMPORTANT
This design drawing is the property of CIF COMPOSITES INC. and is not to be used for reproduction purposes only.



1.5FShd... SIDE SECTION AT CENTRE