



CIF
COMPOSITES INC.

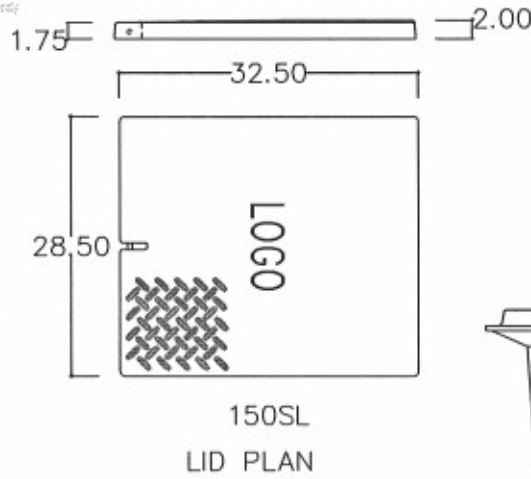
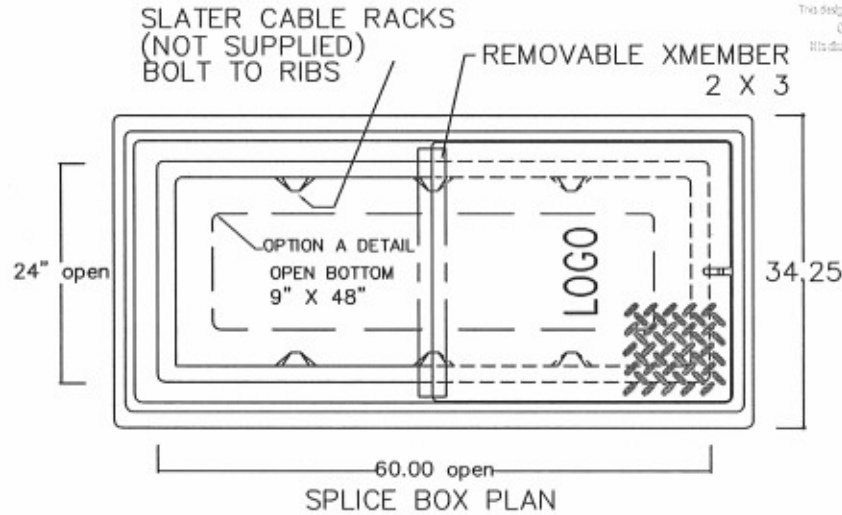
150-Series Vault

CIF CODE: 150SBL

PRO-ECO-LITE™

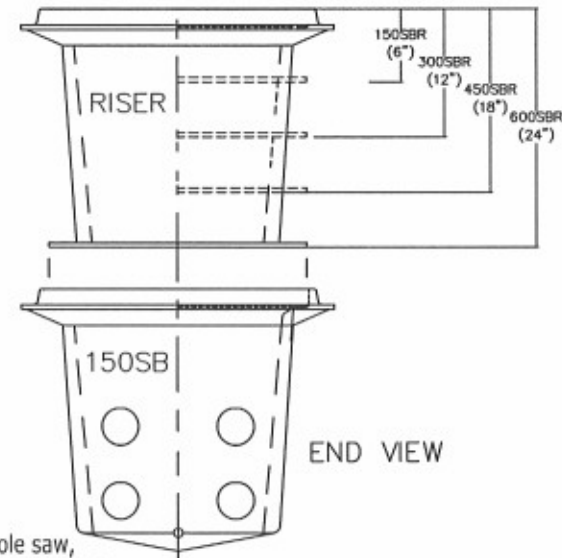
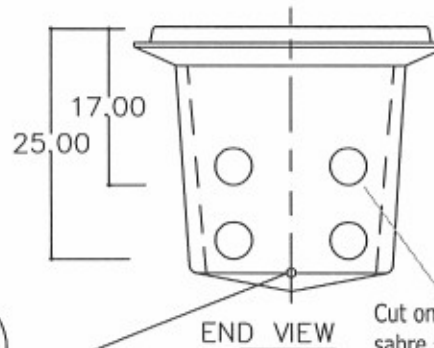
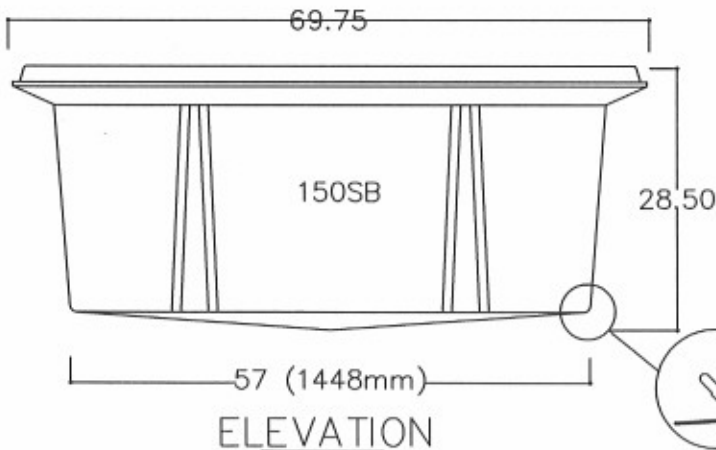
IMPORTANT

This design and drawing is the property of
CIF COMPOSITES INC.
It is to be used for all purposes only.



NOTES

Specify depth to grade on ordering
Custom depths on request
For depths over 24" use multi risers.
Fasten riser through flange for added
stability.



Cut on site using hole saw,
sabre saw or pneumatic punch.
Cut 4.5" hole for 100mm duct.