

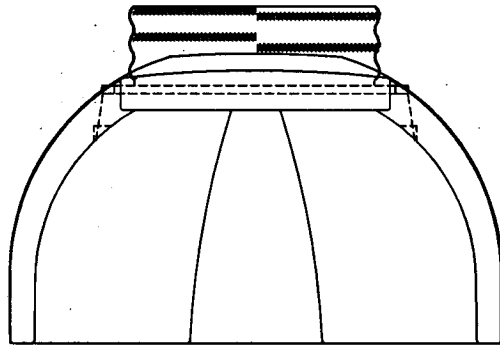


CIF
COMPOSITES INC.

2-Series 22.5 deg. Headwall Structure

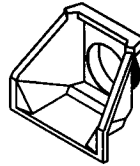
CIF Product Code: 2FShdLP
Canadian Patent # 92136 – US Patent # 447,544
(s/s insert bolts washers and caulk supplied)

PRO-ECO-LITE™

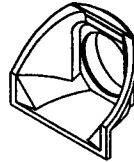


2FShdLP PLAN

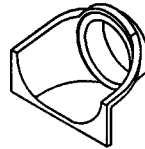
IMPORTANT
This design drawing
is the property of
CIF COMPOSITES INC.
and is distributed for reference
purposes only.



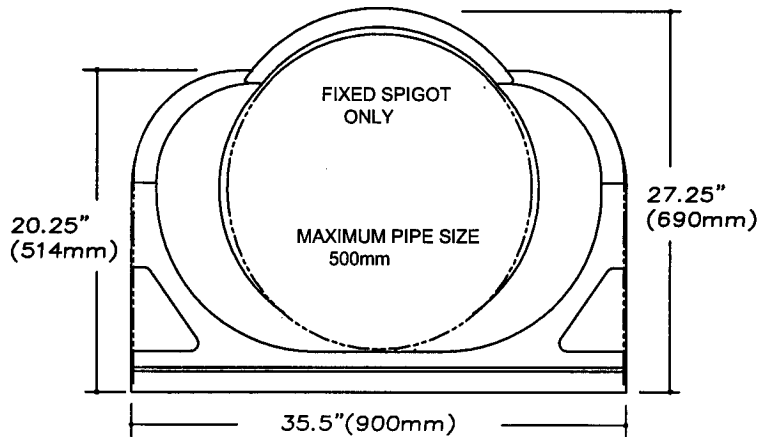
Type:
Weir Model



Type:
Standard -
45 Degree

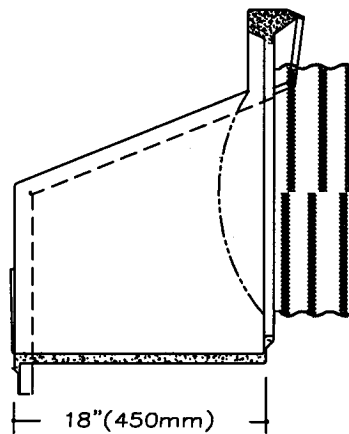


Type:
Low Profile -
22.5 Degree



2FShdLP Headwall Structure
ELEVATION

Specify pipe type
and size.



2FShdLP Side Sectin at Centre

DATE: JULY 2015
DRAWN BY: JK.
SCALE: N.T.S.