

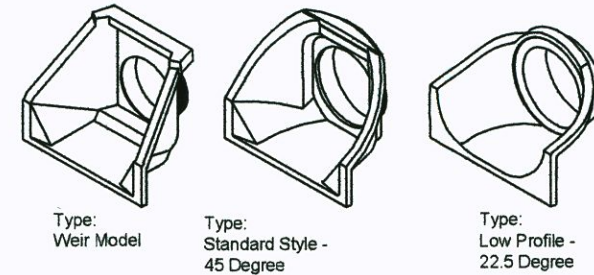
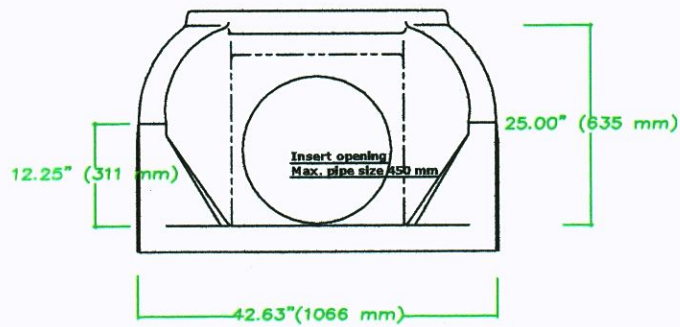
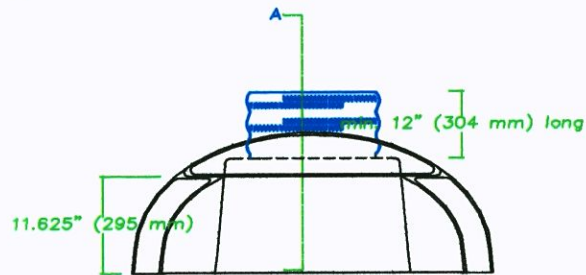


## 2 Series 45 degree FIXED SPIGOT Headwall Structure

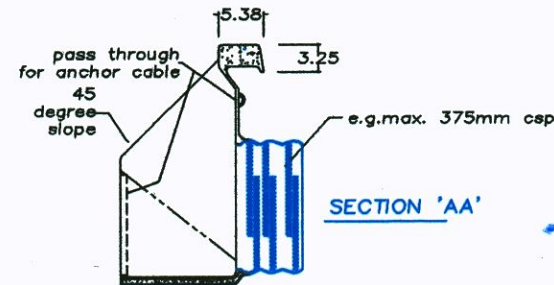
CIF Product Code: 2FShd  
Canadian Patent # 92136 - US Patent # 447,544

*PRO-ECO-LITE™*

**IMPORTANT**  
This design drawing  
is the property of  
CIF COMPOSITES INC.  
and is distributed for reference  
purposes only.



**FIXED SPIGOT :** Specify pipe type and size or order generic FRP insert and specify size of pipe (inside dia.) of the pipe you are going to connect to. Only annular pipe inserts available.



Cad file: 2FShd.dwg  
Date: April 21/01  
Rev date: Jul/08  
Dwg by: DSQ  
Scale: N.T.S