

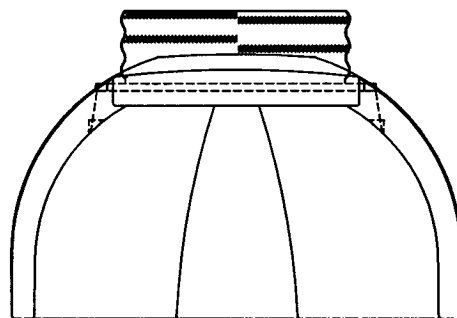


CIF  
COMPOSITES INC.

### 3-Series 22.5 deg. Headwall Structure

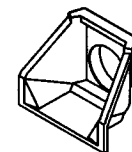
CIF Product Code: 3XPhdLP  
Canadian Patent # 92136 – US Patent # 447,544  
(s/s insert bolts washers and caulk supplied)

*PRO-ECO-LITE™*



3XPhdLP .... PLAN

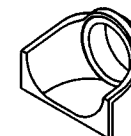
**IMPORTANT**  
This design drawing  
is the property of  
CIF COMPOSITES INC.  
and is distributed for reference  
purposes only.



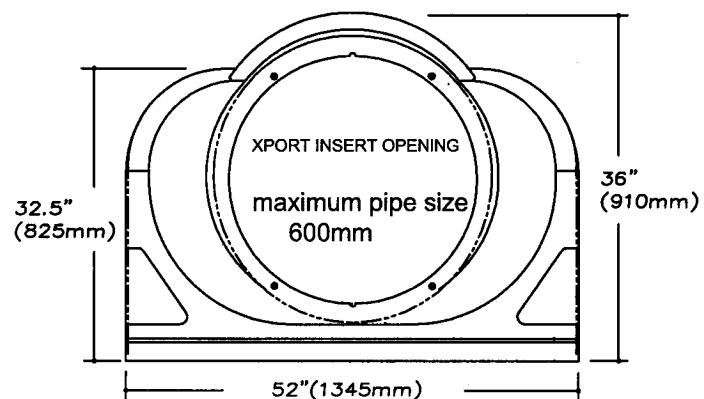
Type:  
Weir Model



Type:  
Standard -  
45 Degree

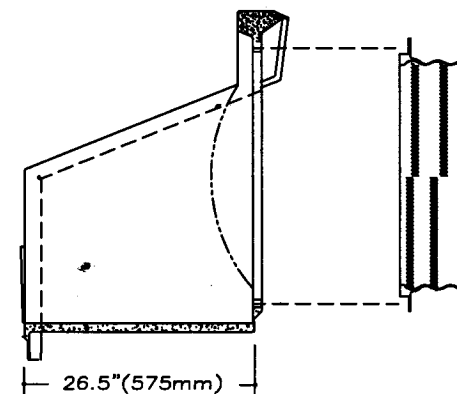


Type:  
Low Profile -  
22.5 Degree



3XPhdLP Headwall Structure  
ELEVATION

XPORT INSERT: Specify pipe type  
and size.



3XPhdLP .... Side Section at Centre

DATE: JULY 2018  
DRAWN BY: JK  
SCALE: N.T.S.