

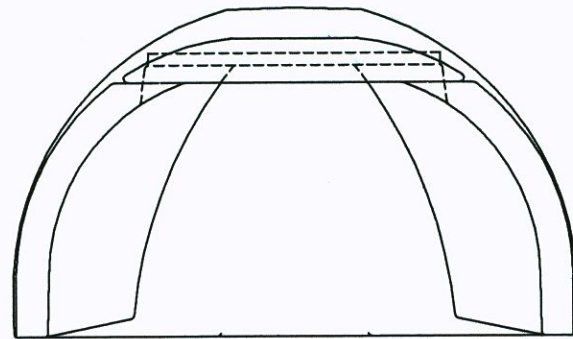


**CIF
COMPOSITES INC.**

3-Series 45 deg. Headwall Structure

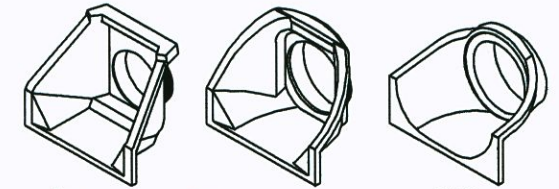
CIF Product Code: 3XPhd
 Canadian Patent # 92136 - US Patent # 447,544
 (s/s insert bolts washers and caulk supplied)

PRO-ECO-LITE™



3XPhd..... PLAN

IMPORTANT
 This design drawing
 is the property of
 CIF COMPOSITES INC.
 and is distributed for reference
 purposes only.

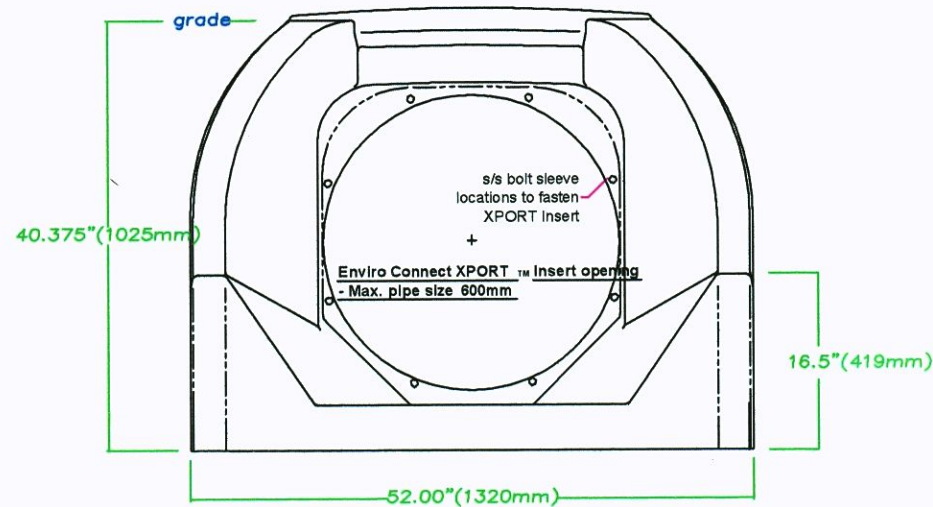


Type:
Weir Model

Type:
Standard Style -
45 Degree

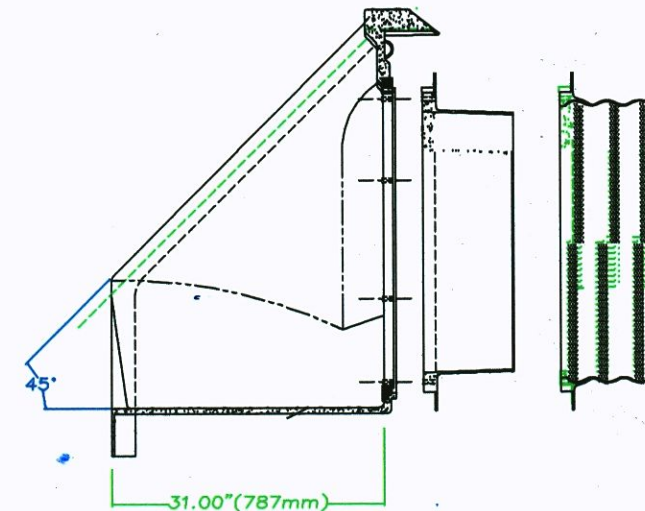
Type:
Low Profile -
22.5 Degree

XPORT INSERT: Specify pipe type and size or order generic FRP insert and specify size of pipe (inside dia.) of the pipe you are going to connect to. Only annular pipe inserts available.



3XPhd (3 SERIES XPORT™ Headwall Structure)

ELEVATION



3XPhd... SIDE SECTION AT CENTRE

Cad file: 3XPhd.dwg
 Date: April 21/01
 Rev date: Jul/08
 Dwg by: DSQ
 Scale: N.T.S