

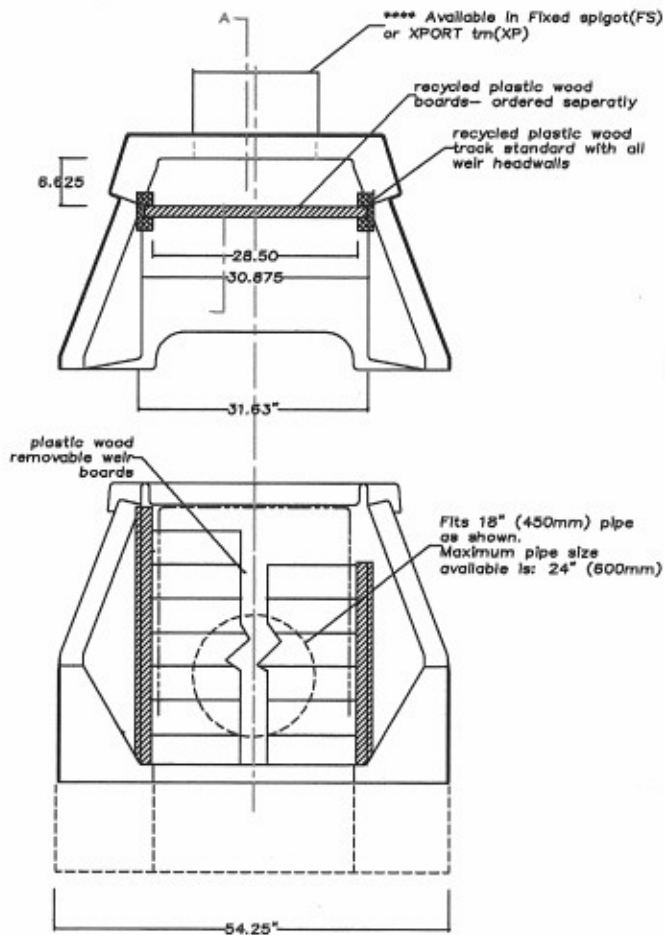


MANUFACTURERS OF  
**PRO-ECO-LITE™**  
 PRODUCTS  
 DESIGN, FABRICATION, AND  
 CONSULTANTS SINCE 1973

### 3-Series Weir Headwall Structure

CIF Product Code: 3FScw Canadian Patent # 92137  
 US Patent #D447,543

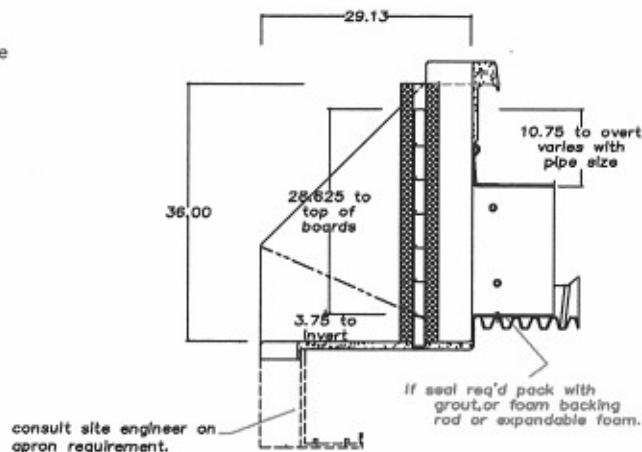
*PRO-ECO-LITE™*



**IMPORTANT**  
 This design drawing  
 is the property of  
 CIF COMPOSITES INC.  
 and is distributed for reference  
 purposes only.

**Notes:**

1. Static load tested to 20,000 lbs. unsupported over 10" sq. plate
2. Product reinforced with Polymer Concrete.
3. Standard Color : Concrete Beige. N.P.G. coating suitable for potable water
4. Finish : Textured non glare.
5. Fabricated with chem resistant resins approved for potable water.
6. Weir headwalls available in Fixed Spigot (FS) or XPORT™ (XP)
7. Available in FRP spigot or ENVIRO-CONNECT™ ( pipe specific)



3FScw..FRP spigot  
 section AA

CAD FILE: 3cwbmod.DWG  
 DATE: feb/99  
 Rev# 3: Ma2 10/2001  
 DWG> UNITS: Inches SCALE : N.T.S.  
 DWG. BY: DSO