

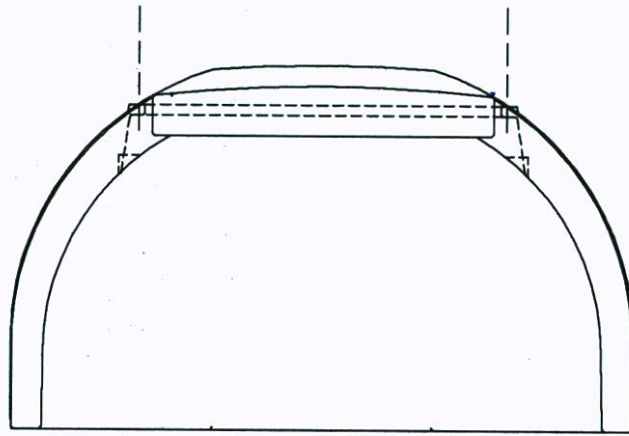


**CIF
COMPOSITES INC.**

4-Series 22.5 deg. Headwall Structure

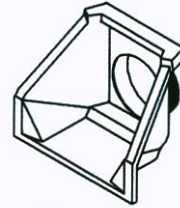
CIF Product Code: 4XPhdLP
 Canadian Patent # 92136 - US Patent # 447,544
 (s/s insert bolts washers and caulk supplied)

PRO-ECO-LITE™



4XPhdLP PLAN

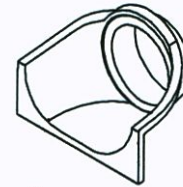
IMPORTANT
 This design drawing
 is the property of
 CIF COMPOSITES INC.
 and is distributed for reference
 purposes only.



Type:
Weir Model

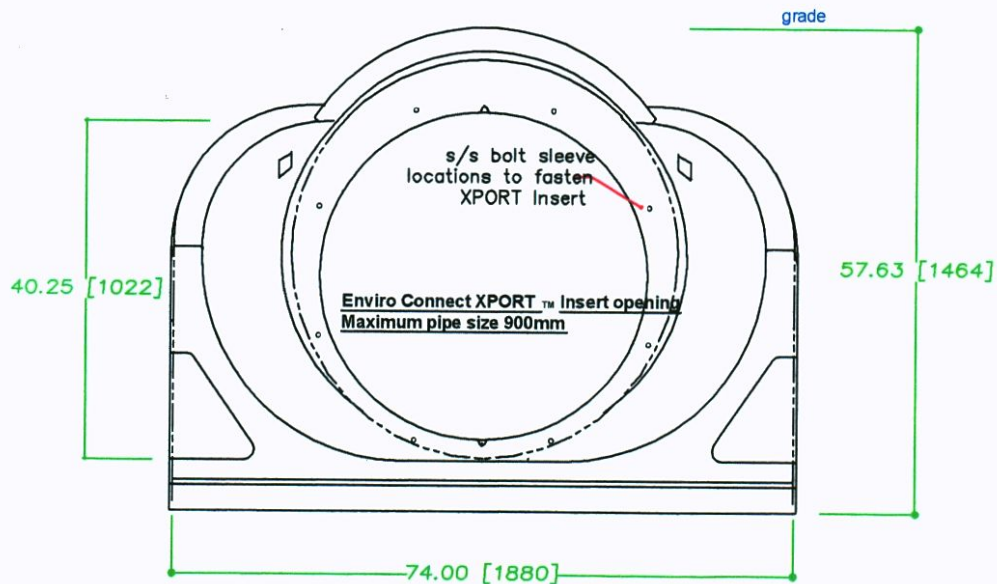


Type:
Standard -
45 Degree



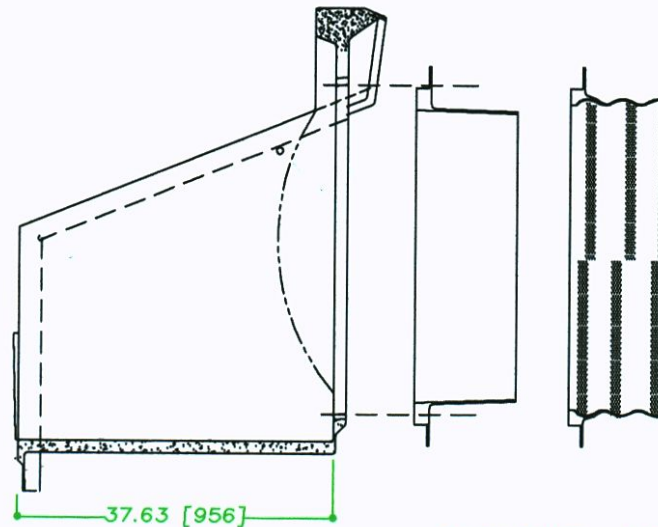
Type:
Low Profile -
22.5 Degree

XPORT INSERT: Specify pipe type and size or order generic FRP insert and specify size of pipe (inside dia.) of the pipe you are going to connect to. Only annular pipe inserts available.



4XPhdLP (4-Series XPORT™ Headwall Structure)

ELEVATION



4XPhdLP...Side Section at Centre

CAD FILE: 4XPHDLP
 Date: Oct 2005
 Drawn by: DSQ
 Scale: nts