

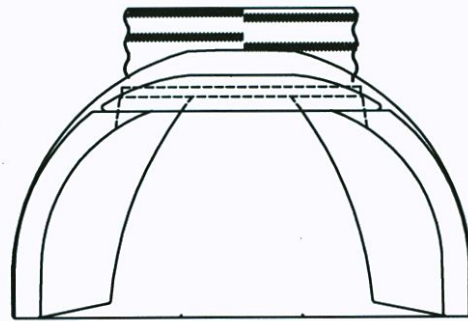


CIF
COMPOSITES INC.

4- series 45 deg. Headwall Structure

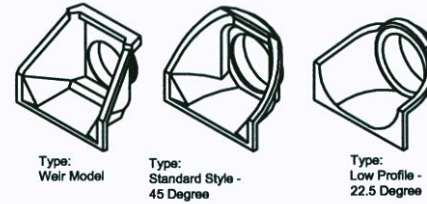
CIF Product Code: 4XPhd
Canadian Patent # 92136 - US Patent # 447,544
(s/s insert bolts washers and caulk supplied)

PRO-ECO-LITE™

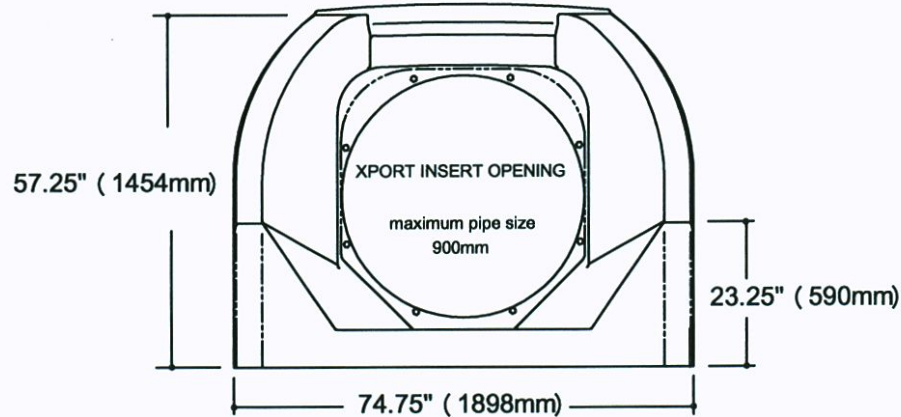


4XPhd PLAN

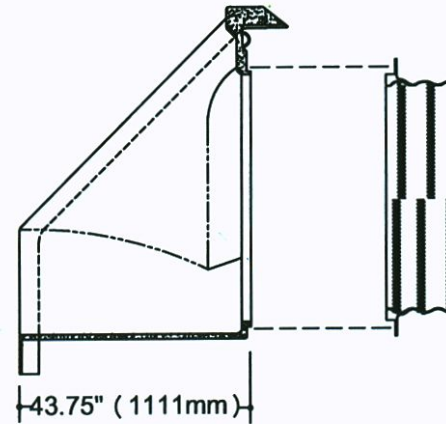
IMPORTANT
This design drawing
is the property of
CIF COMPOSITES INC.
and is distributed for reference
purposes only.



xport insert: Specify pipe type and size.



4XPhd Headwall Structure
ELEVATION



4XPhd Side Section at Centre