

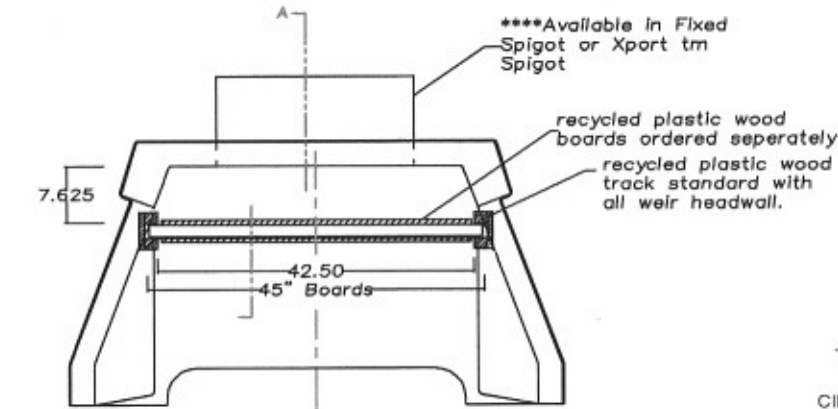


MANUFACTURERS OF
PRO-ECO-LITE™
 PRODUCTS
 DESIGN, FABRICATION, AND
 CONSULTANTS SINCE 1973

4-Series Weir Headwall Structure

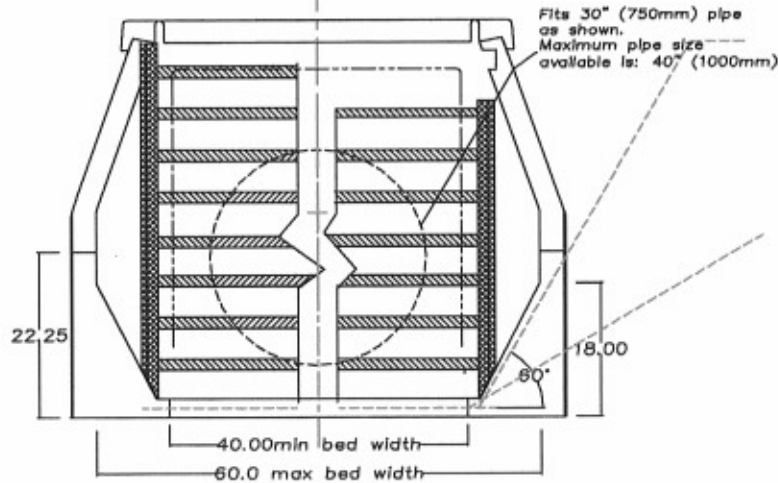
CIF Product Code: 4FScw Canadian Patent # 92137
 US Patent #D447,543

PRO-ECO-LITE™



****Available in Fixed Spigot or Xport™ Spigot

recycled plastic wood boards ordered separately
 recycled plastic wood track standard with all weir headwall.

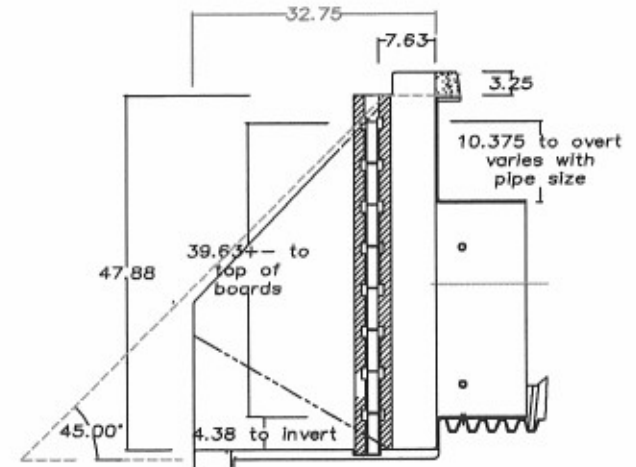


Fits 30" (750mm) pipe as shown.
 Maximum pipe size available is: 40" (1000mm)

IMPORTANT
 This design drawing is the property of CIF COMPOSITES INC. and is distributed for reference purposes only.

Notes:

1. Static load tested to 20,000 lbs. unsupported over 10" sq. plate
2. Product reinforced with Polymer Concrete.
3. Standard Color : Concrete Beige. N.P.G. coating suitable for potable water
4. Finish : Textured non glare.
5. Fabricated with chem resistant resins approved for potable water.
6. Weir headwalls available in Fixed Spigot(FS) or XPORT™ (XP)
7. Available in FRP spigot or ENVIRO-CONNECT™ (pipe specific)



4FScw..FRP spigot
 SECTION 'AA'

cad file: 4cw9mod
 DWG. UNITS: Inches Scale: n.t.s.
 Dwg by: dsquin
 Jan/99
 REV #7 may 10/01