

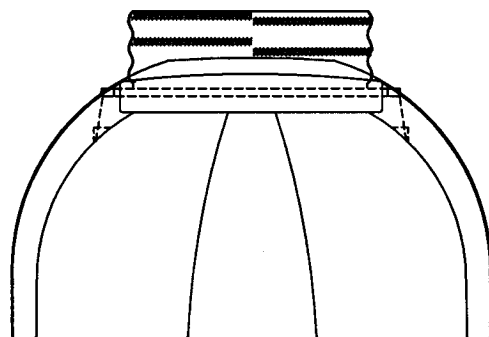


CIF
COMPOSITES INC.

5-Series 22.5 deg. Headwall Structure

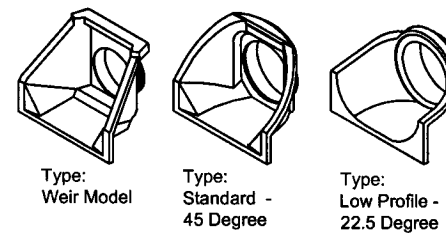
CIF Product Code: 5XPhdLP
 Canadian Patent # 92136 – US Patent # 447,544
 (s/s insert bolts washers and caulk supplied)

PRO-ECO-LITE™



5XPhdLP PLAN

IMPORTANT
 This design drawing
 is the property of
 CIF COMPOSITES INC.
 and is distributed for reference
 purposes only.

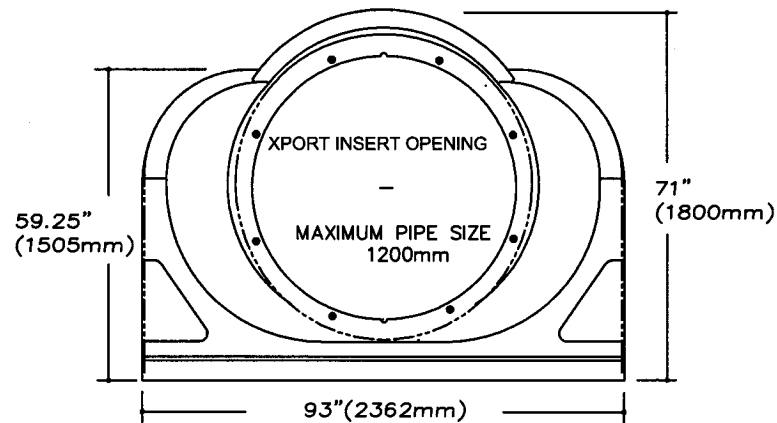


Type:
Weir Model

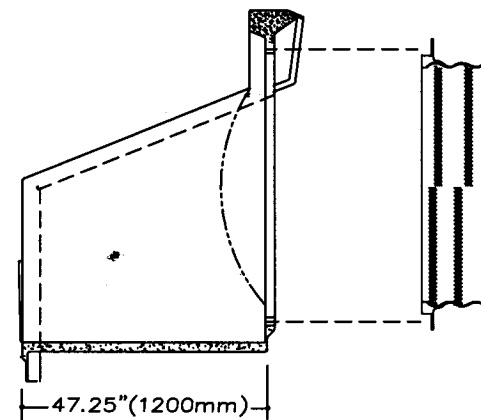
Type:
Standard -
45 Degree

Type:
Low Profile -
22.5 Degree

XPORT INSERT: Specify pipe type
and size.



5XPhdLP Headwall Structure
ELEVATION



5XPhdLP.....Side Section at Centre

DATE: JULY 2019
 DRAWN BY: J.C.
 SCALE: N.T.S.