

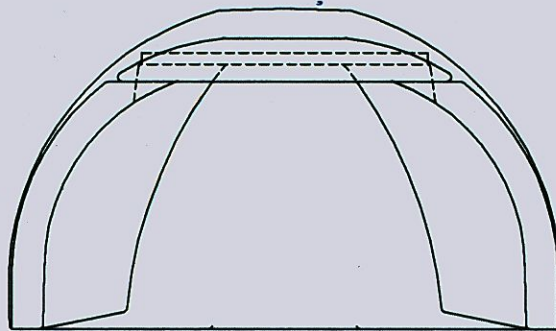


CIF
COMPOSITES INC.

5-Series 45 deg. Headwall Structure

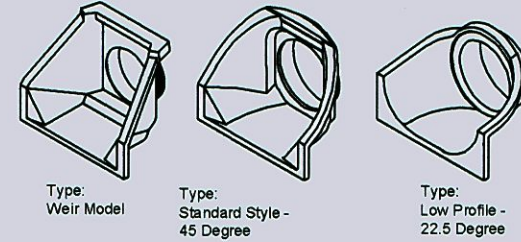
CIF Product Code: 5XPhd
Canadian Patent # 92136 - US Patent # 447,544
(s/s insert bolts washers and caulk supplied)

PRO-ECO-LITE™



5XPhd..... PLAN

IMPORTANT
This design drawing is the property of CIF COMPOSITES INC. and is distributed for reference purposes only.

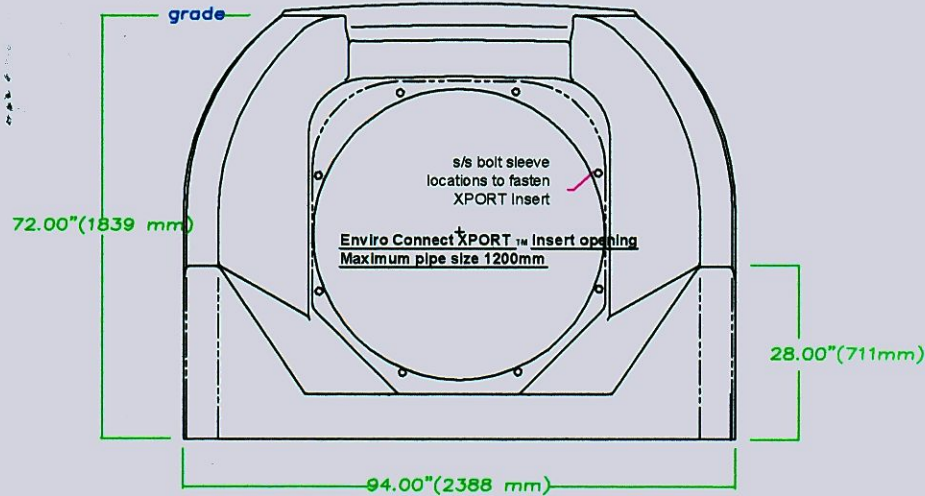


Type: Weir Model

Type: Standard Style - 45 Degree

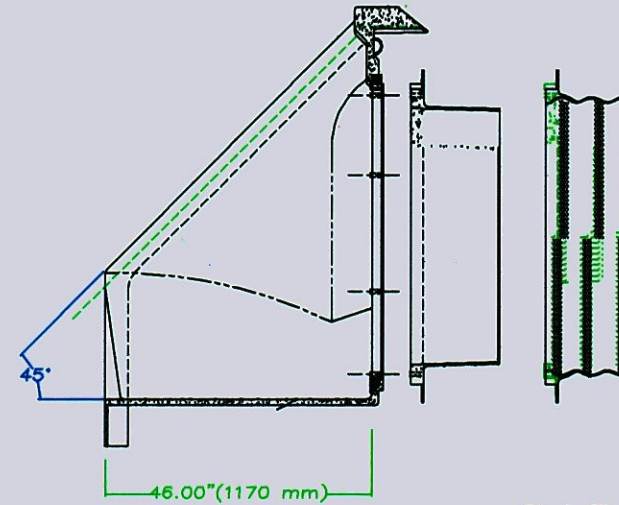
Type: Low Profile - 22.5 Degree

XPORT INSERT: Specify pipe type and size or order generic FRP insert and specify size of pipe (inside dia.) of the pipe you are going to connect to. Only annular pipe inserts available.



5XPhd (5 SERIES XPORT™ Headwall Structure)

ELEVATION



5XPhd... SIDE SECTION AT CENTRE

Cad file: 5XPhd.dwg
Date: April 21/01
Rev date: Jul/08
Dwg by: DSQ
Scale: N.T.S