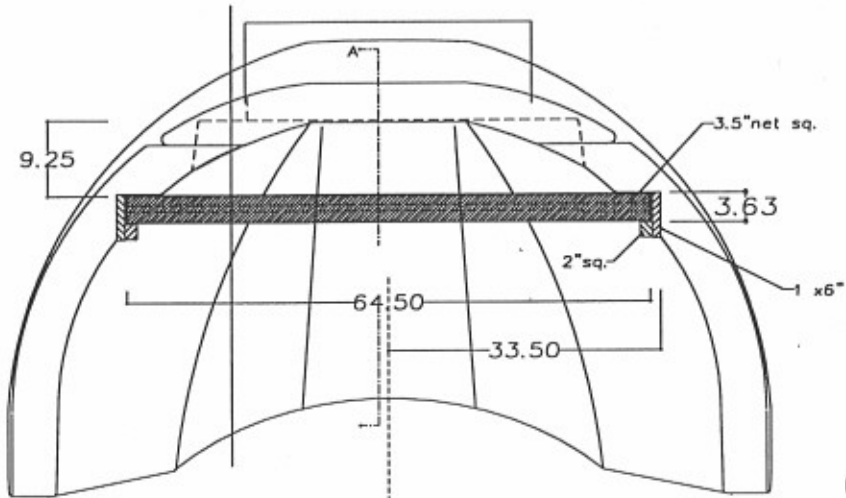


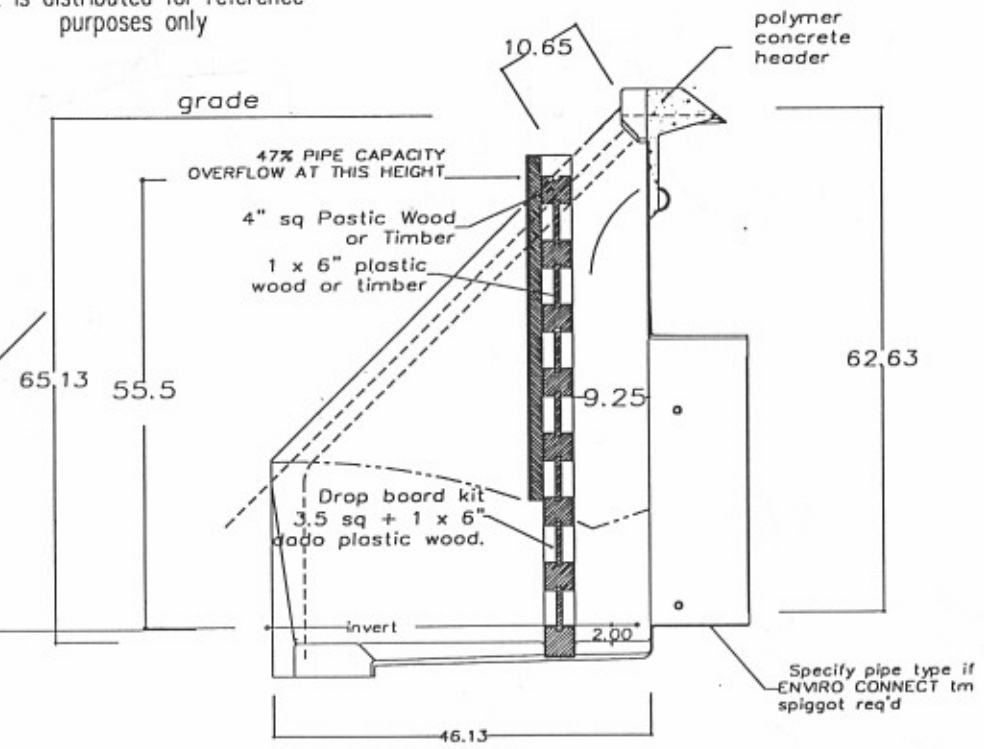
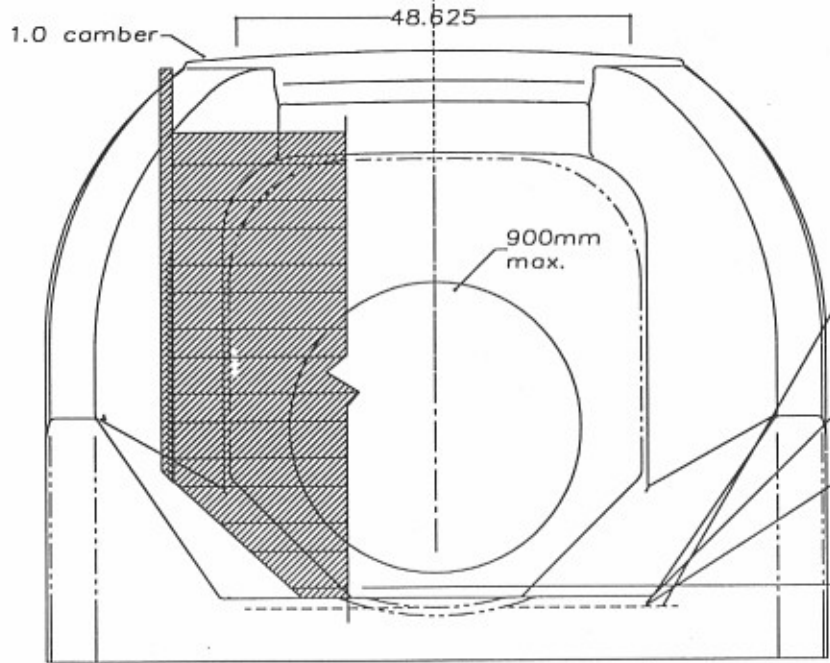
5 SERIES COMPOSITE WEIR HEADWALL (model# 5cw9 shown)

Pipe sizes= 750-900mm, Ditch height= 65-68, Ditch width max. 81.75"



CAD FILE: 5-cw9.DWG
 DATE: april 21 /2000
 REV: #4 set 29/03
 SCALE : N.T.S.
 DWG. BY: DSO

IMPORTANT
 This design and drawing is the property of
 CUSTOM INDUSTRIAL FIBREGLOSS Ltd
 It is distributed for reference purposes only



51.00 min. bed width
 81.75max. bed width

SECTION 'AA'

Specify pipe type if ENVRO CONNECT tm spigot req'd