

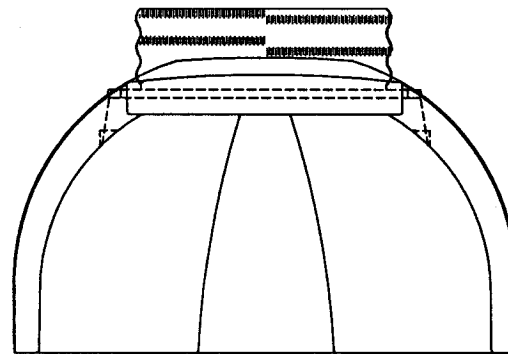


CIF
COMPOSITES INC.

6-Series 22.5 deg. Headwall Structure
(ONLY AVAILABLE AS A LOW PROFILE HEADWALL)

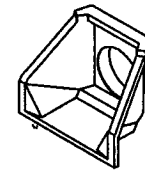
CIF Product Code: 6XPhdLP
Canadian Patent # 92136 - US Patent # 447,544
(s/s insert bolts washers and caulk supplied)

PRO-ECO-LITE™

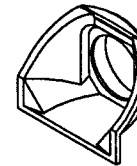


6XPhdLP ... PLAN

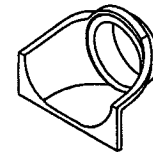
IMPORTANT
This design drawing
is the property of
CIF COMPOSITES INC.
and is distributed for reference
purposes only.



Type:
Weir Model

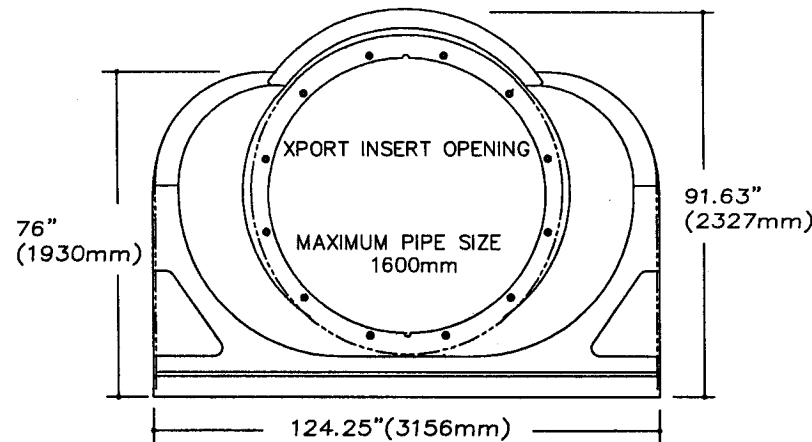


Type:
Standard -
45 Degree



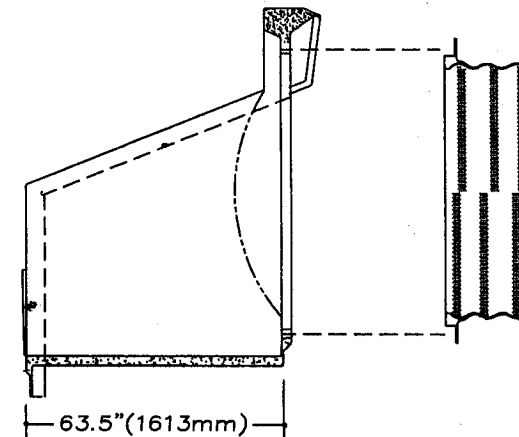
Type:
Low Profile -
22.5 Degree

**XPORT INSERT: Specify pipe type
and size.**



6XPhdLP (6-Series XPORT™ Headwall Structure)

ELEVATION



6XPhdLP Side Section at Centre

CAD FILE: 6XPHDLP
DATE: JULY 2015
DRAWN BY: JK
SCALE: N.T.S.