

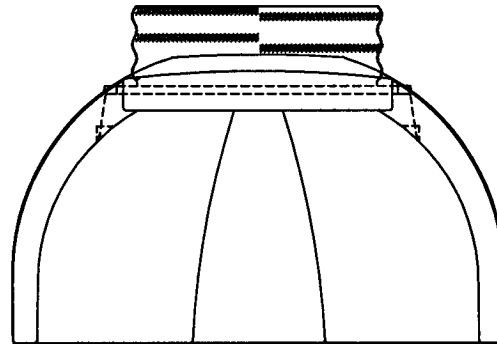


7-Series 22.5 deg. Headwall Structure

(ONLY AVAILABLE AS A LOW PROFILE HEADWALL)

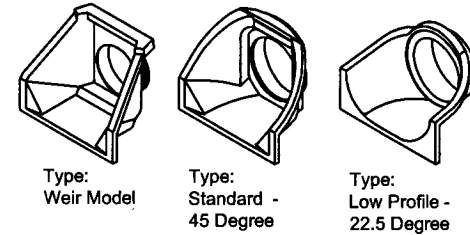
CIF Product Code: 7XPhdLP
 Canadian Patent # 92136 - US Patent # 447,544
 (s/s insert bolts washers and caulk supplied)

PRO-ECO-LITE™



7XPhdLP.....PLAN

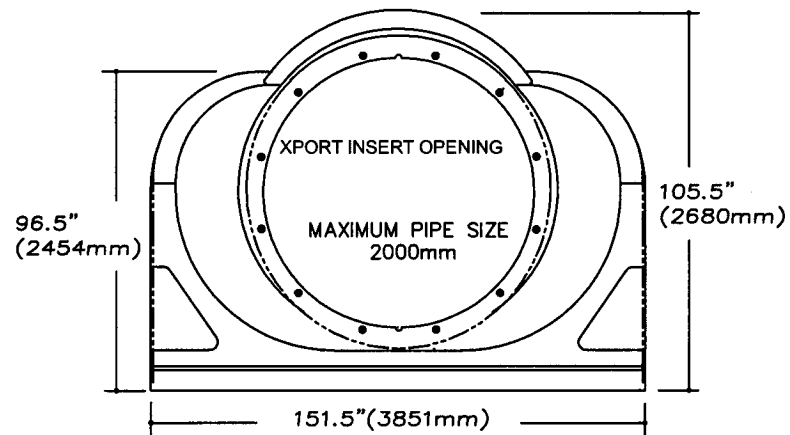
IMPORTANT
 This design drawing
 is the property of
 CIF COMPOSITES INC.
 and is distributed for reference
 purposes only.



Type:
Weir Model

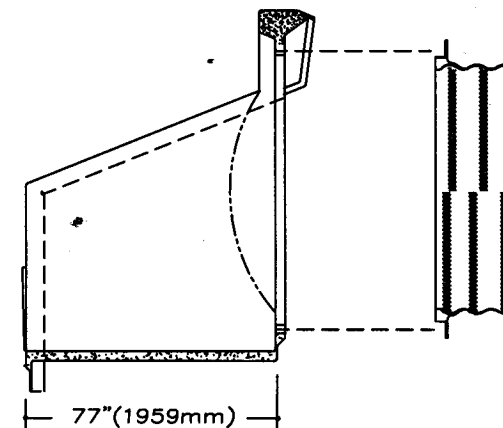
Type:
Standard -
45 Degree

Type:
Low Profile -
22.5 Degree



7XPhdLP Headwall Structure
ELEVATION

XPORT INSERT: Specify pipe type
and size.



7XPhdLP.....Side Section at Centre

DATE: JULY 2015
 DRAWN BY: JC
 SCALE: N.T.S.