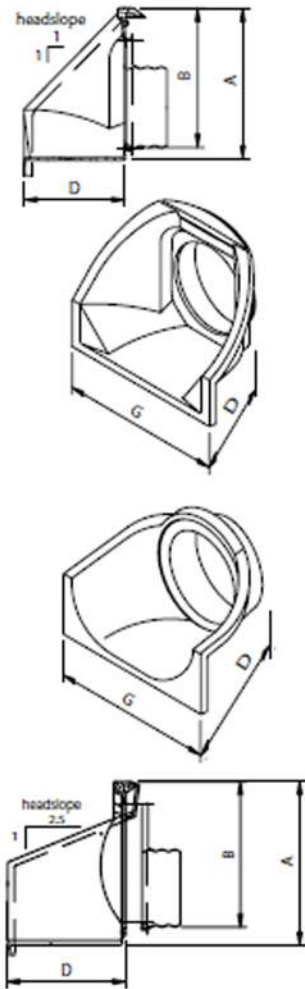


PRO-ECO-LITE™ DESIGN INFORMATION

PRO-ECO-LITE™ HEADWALLS



Standard Headwall 45 Degree Head Slope

Series	Max. Pipe Dia. (mm)	A (mm)	B (mm)	D (mm)	G (mm)	Max Gate Dia. (mm)	Headwall Weight (kg)
1.5	300	444	394	330	725		18
2	375	600	508	355	1090	305	27
3	600	920	650	650	1340	457	61
4	900	1300	915	915	1905	762	105
5	1200	1600	1550	1170	2360	914	277



Aprons are available for high erosion wash-out conditions

Low Profile Headwall 22.5 Degree Head Slope

Series	Max. Pipe Dia. (mm)	A (mm)	B* (mm)	D (mm)	G (mm)	Max Gate Dia. (mm)	Headwall Weight (kg)
2	375	600	585	450	895	305	27
3	600	910	825	675	1345	457	60
4	900	1275	1180	975	1905	762	108
5	1200	1615	1430	1200	2380	914	276
6	1600	2140	1890	1615	3150	1067	450
7	2400	2620	2320	1952	3850	1219	862

*Invert dimensions "B" for flap and sluice gate models may vary.



Trash gates and security grids for extra protection of your headwall inlet/outlet



Lightweight, Engineered Inlet and Outlet Control Structures

Factory-Installed Flow Control Options



20-10C Sluic

Flap Gates

Weir Boards



CIF Composites Inc.
 1810 Verling Avenue Victoria, BC V8M 1X6
 T: 250.652.6313 Toll Free: 1.800.293.1525
 F: 250.652.4800 Email: sales@cifcomposites.com
 www.cifcomposites.com



CIF COMPOSITES INC

PRO-ECO-LITE™ HEADWALLS

Engineered from a composite reinforced polymer concrete, our CIF PRO-ECO-LITE™ Headwalls combine the lightweight characteristics of plastic with the strength of concrete.

Benefits of our CIF PRO-ECO-LITE™ Headwalls include:

- **Lightweight** – typically 10% of the weight of conventional concrete headwalls. Ideal for weak subgrade conditions.
- **Fast and Simple Installation** – less manpower and lighter machinery to ship, handle and install. Easily maneuvered by hand or on-site equipment.
- **Durability** – composite reinforced polymer concrete is designed to meet the most demanding applications – chemical resistant, UV stabilized and non-corrosive.
- **Versatile Connection** – ENVIRO-CONNECT™ and XPORT™ systems provide a simple, positive (no grout) connection to all pipe types and sizes from 100mm to 2400mm. Concrete pipe connections are made possible with a fiberglass spigot or belled end.
- **Environmental Benefit** – fish friendly, non-leaching, non-corrosive materials, meeting Federal requirements for non-polluting of streams and ditches.

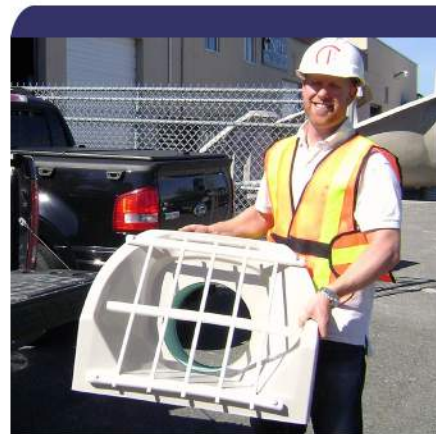


Unique design allows quick and simple installations.

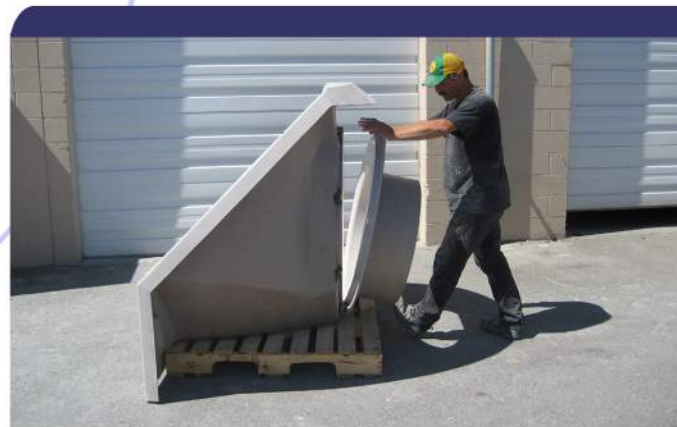
PRO-ECO-LITE™ design is protected under Canadian and U.S. laws. Patent Numbers D477,544 and D477,543.



Typical PRO-ECO-LITE™ polymer concrete composite cross section.



Your lightweight alternative.



How our X-Port™ works for simple field connections

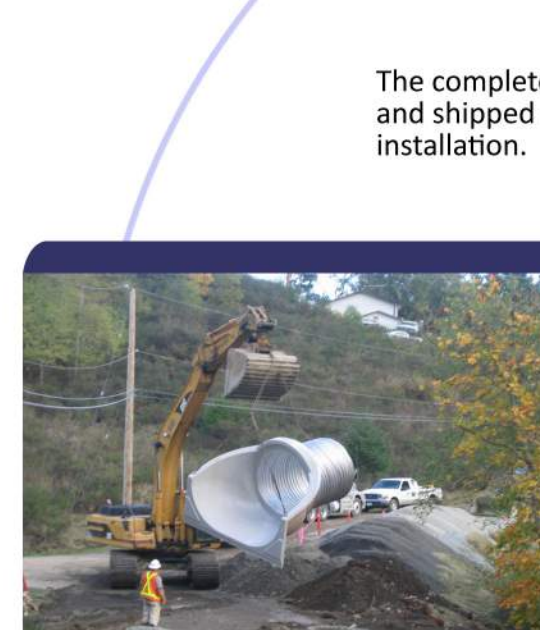


Headwalls can be installed to any pipe type from CSP, HDPE, PVC, and even concrete!

FOUR EASY STEPS



1 Working with the customer we can aid in choosing the correct model and accessories, to suit your needs.



2 The completed product can be palletted and shipped directly to the jobsite for installation.



3 Upon arrival at the jobsite, lightweight machinery can upload and lower the headwalls into place.



Ideal for driveway and ditch crossings.



4 Once lowered into place and connected to the existing pipe, the structure can be backfilled. The completed installation can be finished with a variety of end treatments, including rip-rap slope protection, sod/grass, or cobbles, as shown.