

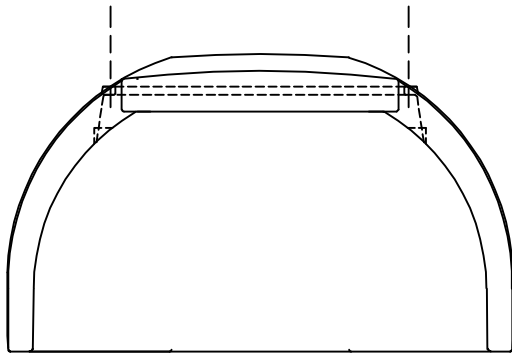


**CIF**  
**COMPOSITES INC.**

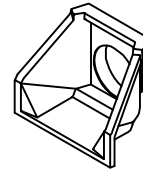
### 7-Series 22.5 deg. Headwall Structure

CIF Product Code: 7XPhdLP  
Canadian Patent # 92136 - US Patent # 447,544  
(s/s insert bolts washers and caulk supplied)

**PRO-ECO-LITE™**



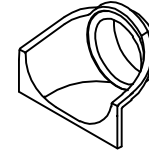
**7XPhdLP**



Type:  
Weir Model

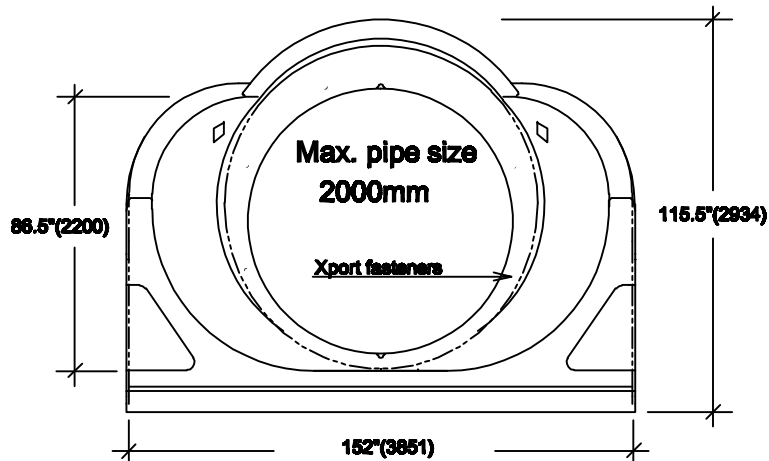


Type:  
Standard -  
45 Degree

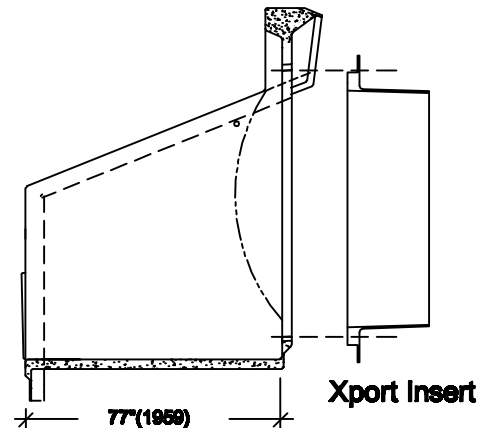


Type:  
Low Profile -  
22.5 Degree

**IMPORTANT**  
This design drawing  
is the property of  
CIF COMPOSITES INC.  
and is distributed for reference  
purpose only.



**7 Series Xport Headwall Low Profile**



**Xport Insert**