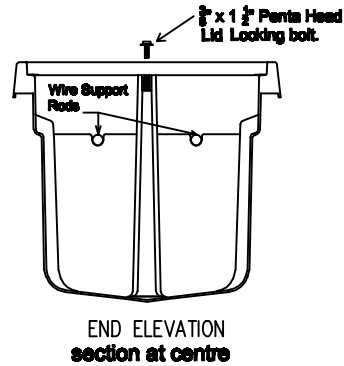
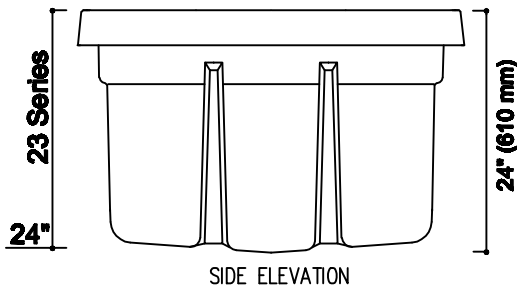
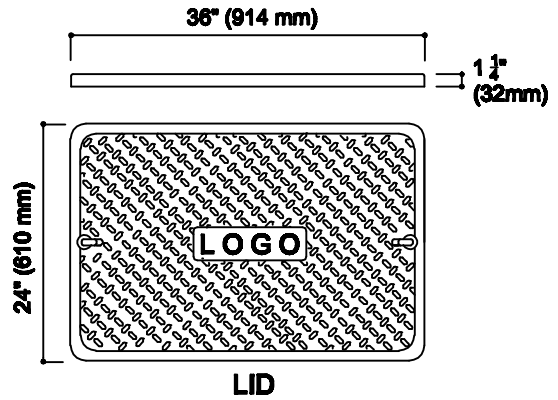
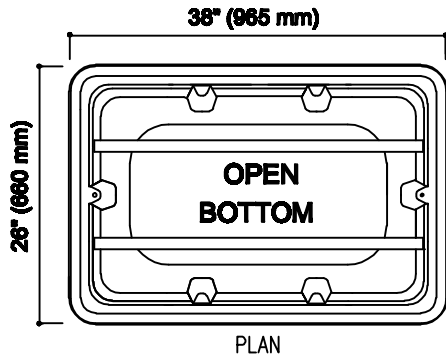
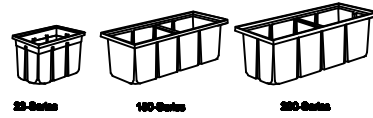




ELECTRICAL Service box / Lid Assemble



CODE: 2324 PLL - AE

Description:
Bottomless Electrical Box c/w wire support rod holders.
Locking Lid c/w Stainless Steel Penta Head Bolts.

Box Weight: 58 lbs. — MATERIAL: Fiberglass

Lid Weight: 70 LBS. — MATERIAL: Fiberglass c/w Polymer Concrete Core

Std file: G:\std\DWGS\ACADR\1923SERIES\23B24.dwg Date: 1 FEB 2013 Scale: N.T.S .

SCALE: N.T.S.

Revision Date: Jan. 2020

PRO-ECO-LITE™

DRAWN BY: C.I.F. COMPOSITES (Jack K.)