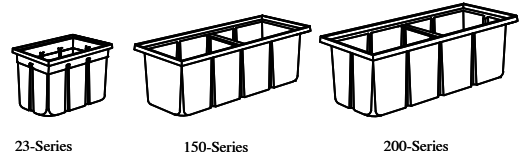




**CIF**  
**COMPOSITES INC.**



23-Series

150-Series

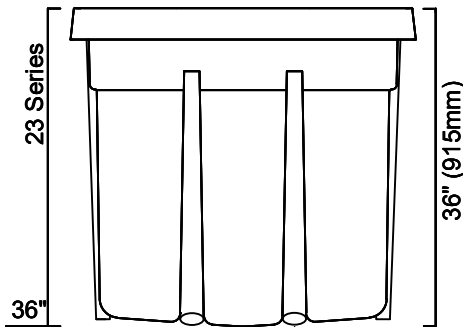
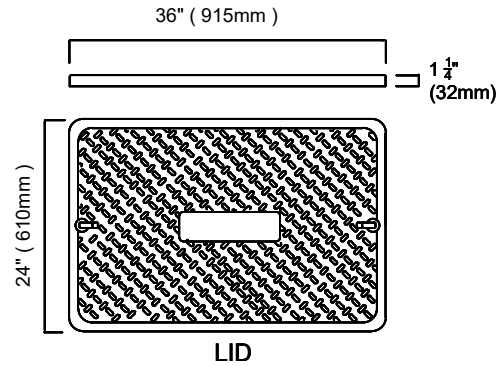
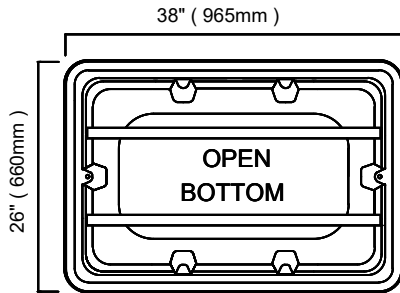
200-Series

1810 Verling Ave. Saanichton, BC V8M 1X6. (250)652-6313

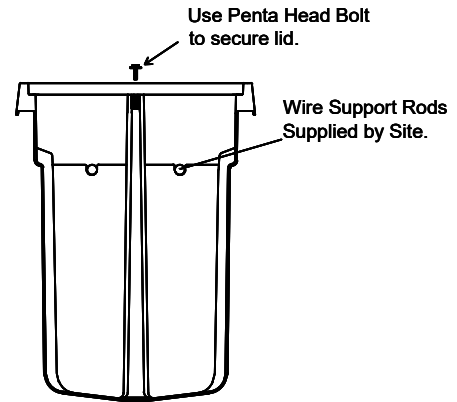
www.cifcomposites.com

PRO-ECO-LITE™

## 23 - SERIES - TYPE 8



Pipe reinforced ribs incased with FRP laminate.



section at centre

**CODE: 2336 PLL - AE**

**ELECTRICAL LOCKING BOX**

DRAWN BY: J.K .

BOX: 100 LBS.

SKID RATING .51 .

LID: 90 LBS.

DATE:

LOAD RATING:

REV. DATE:

MATERIAL: Fiberglass

**NOTES:**

- Tier 22 Performance.
- Service box designed for boulevard use.
- Backfill with coarse sand / tamping responsibility of others.

This design and drawing is the property of CIF COMPOSITES LTD.  
it is distributed for reference purposes only.