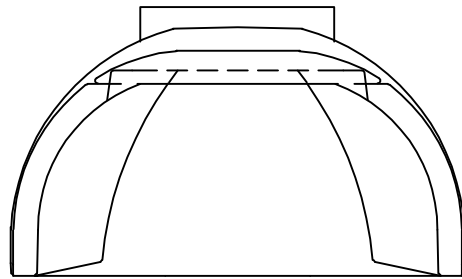




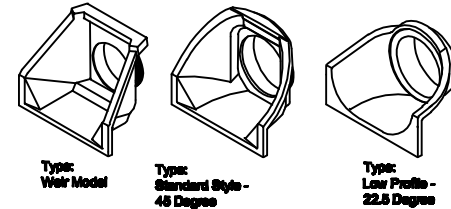
1.5 Series 45 degree FIXED SPIGOT Headwall Structure

CIF Product Code: 1.5FShd
Canadian Patent # 92136 - US Patent # 447,544

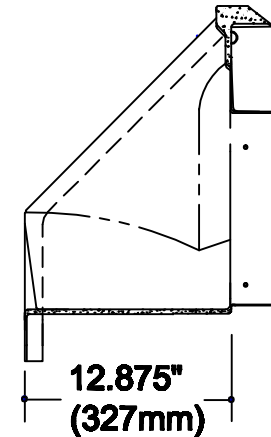
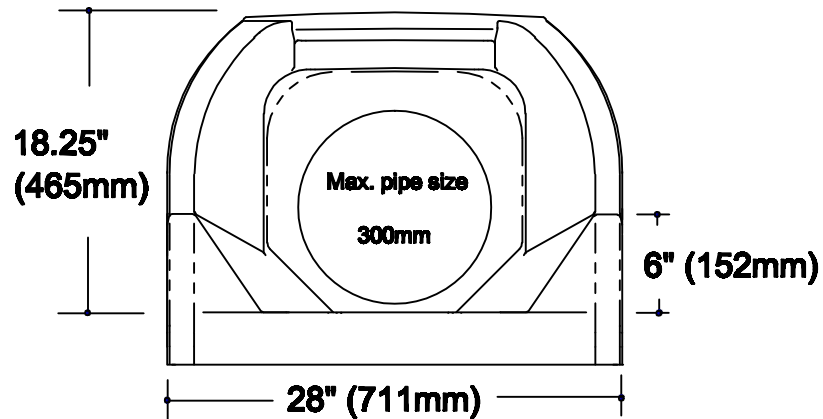
PRO-ECO-LITE™



1.5 FShd



IMPORTANT
This design drawing
is the property of
CIF COMPOSITES INC.
and is distributed for reference
purposes only



1.5 Series Fixed Spigot Headwall