

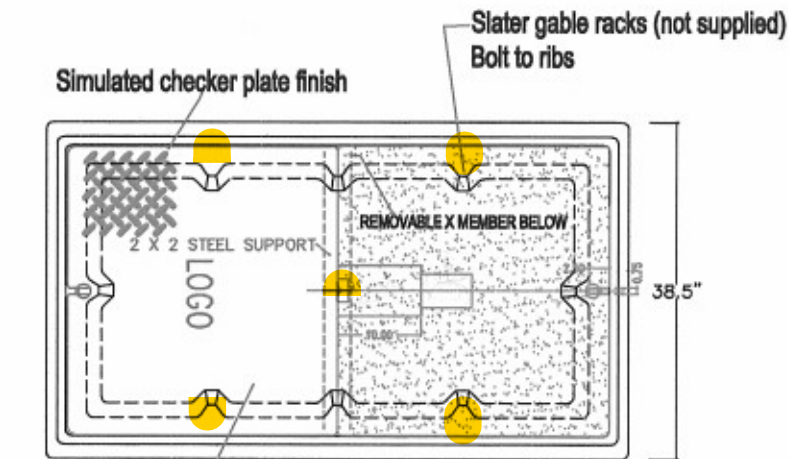


**CIF**  
COMPOSITES INC.

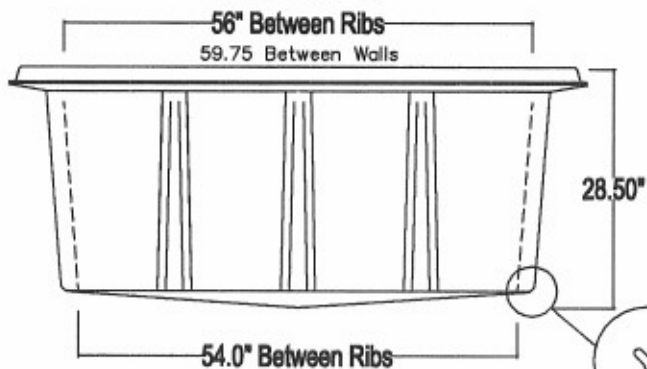
# 200-Series Splice Box for KIOSK LOCKING UNIT

CIF Product Code: 200KSBL

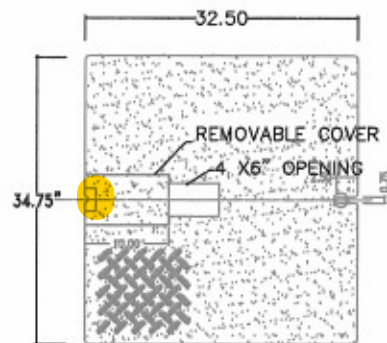
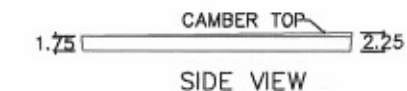
PRO-ECO-LITE™



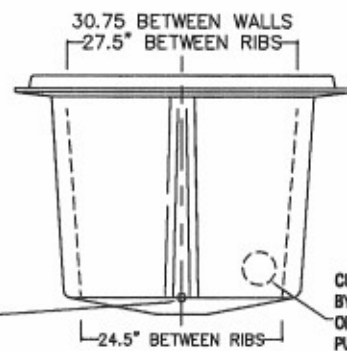
Standard 200PL lid  
SPLICE BOX PLAN



NOTES: 200KPLL lid is used only when a kiosk is to be mounted onto lid. If a kiosk is not mounted at time of installation a 200PLL lid should be used in its place until such time as the kiosk is to be placed. This will avoid liability due to hole being exposed if the 200KPLL lid is left in place without a kiosk.



200KPLL LID PLAN



**IMPORTANT**  
 This design and drawing is the property of CIF COMPOSITES INC. It is distributed for reference purposes only

CAD FILE: 200KSB.DWG  
 DATE: APRIL/96  
 REV: MAY '96, JAN/97, DEC/98  
 SCALE: N.T.S.  
 DRAWN BY: DSQ