

PRO-ECO-LITE™

23 SERIES OVER BUILD 230B

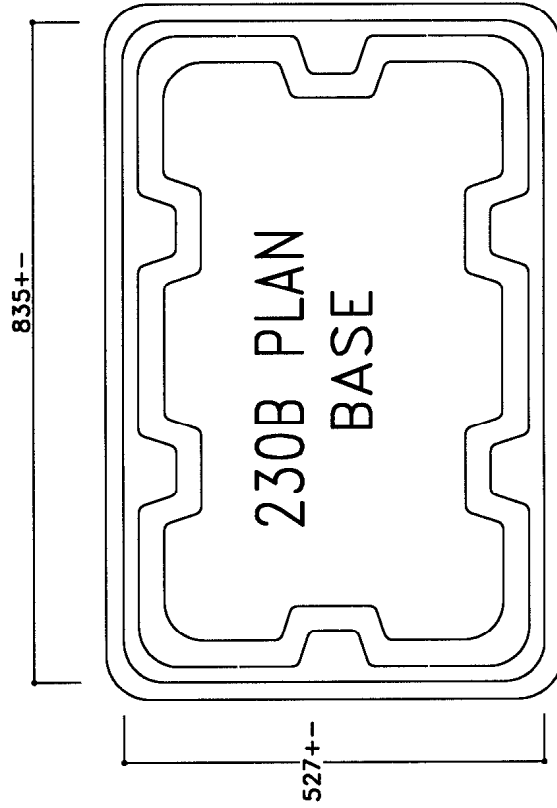
**INSTRUCTIONS FOR OVERBUILD

- DETERMINE HEIGHT TO GRADE
- CHOOSE B29 for max 24" to duct invert overbuild.
- CHOOSE B35 for max. 31" to duct invert overbuild
- COMBINE WITH CIG8 for an additional 8" max over build if necessary.
- EXCAVATE OLD DAMAGED BOX
- EXPOSE THE EXISTING DUCT FOR A NEW INSTALLATION
- ENSURE GOOD SAND COMPACTION BELOW EXISTING SPLICE
- PLACE 230B UNDER SPLICE AND DUCT. MEASURE HEIGHT TO GRADE OF NEW BOX.
- MEASURE BOX HEIGHT NEEDED AND CUT OF THE LOWER PORTION OF THE BOX WITH A CONCRETE CUTTING BLADE
- CUT DUCT LOCATION INTO BOX AS SHOWN AT RIGHT
- PLACE BOX OVER 230B
- BACKFILL WITH SAND AND TAMP IN 12" LIFTS.
- CAULK WITH SILICONE IF TIGHT SEAL REQ'D

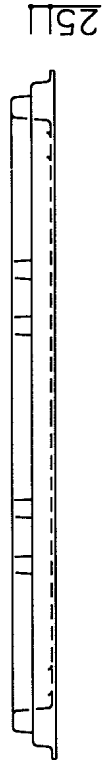


DATE: JULY 14/97
 DESIGN AS TESTED
 SCALE: NTS
 DRAWN BY : DSQ
 CAD FILE: 230B.DWG

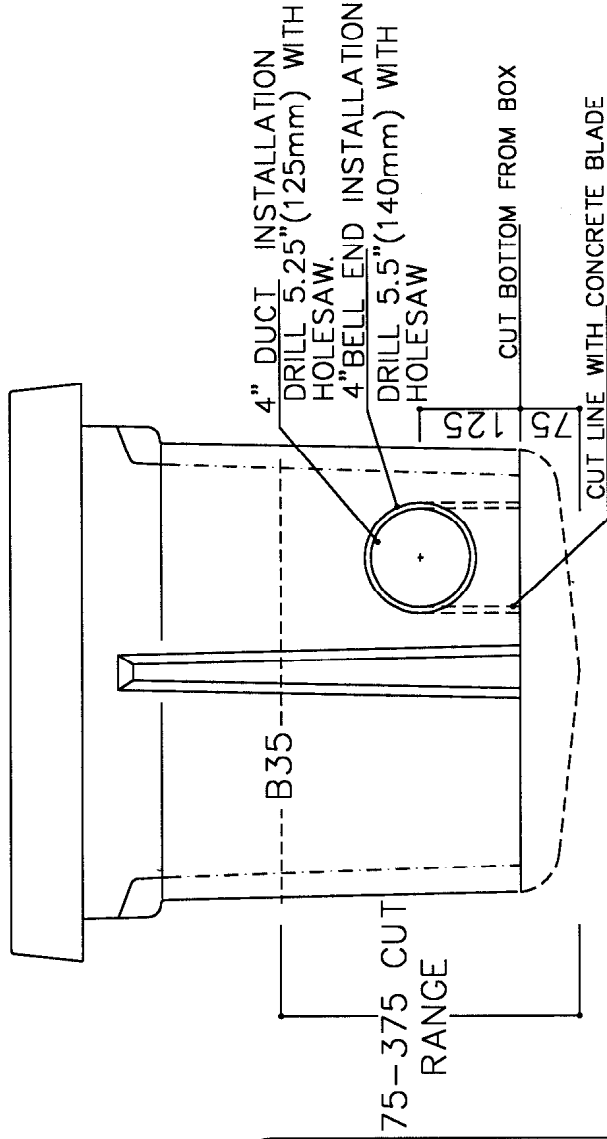
COMPLETE ORDER CODE-- 23350BPLA



MATERIAL: PRO-ECO-LITE COMPOSITE RIM



230B SIDE ELEVATION



END ELEVATION