

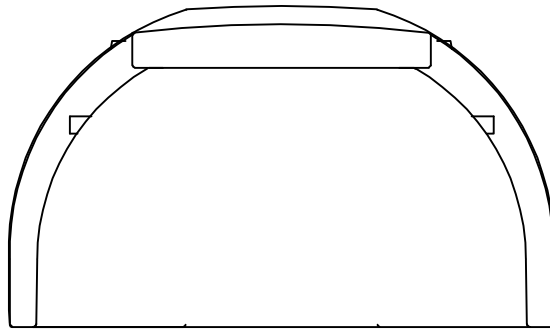


CIF
COMPOSITES INC.

2-Series Fixed Spigot 22.5 deg. Headwall Structure

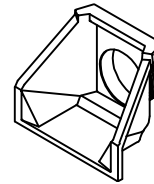
CIF Product Code: 2FShdLP
Canadian Patent # 92136 - US Patent # 447,544

PRO-ECO-LITE™

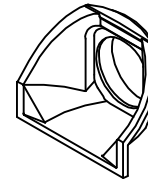


2FShdLP

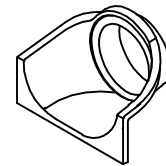
IMPORTANT
This design drawing
is the property of
CIF COMPOSITES INC.
and is distributed for reference
purposes only.



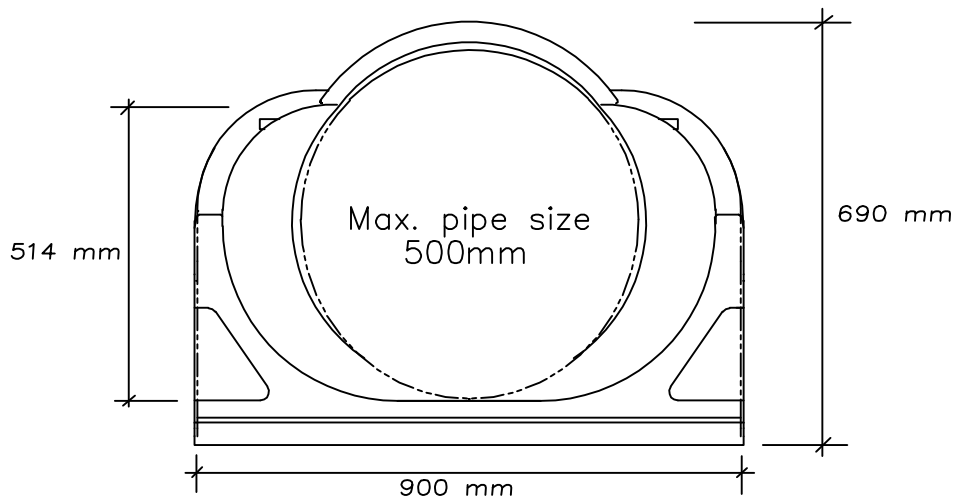
Type:
Weir Model



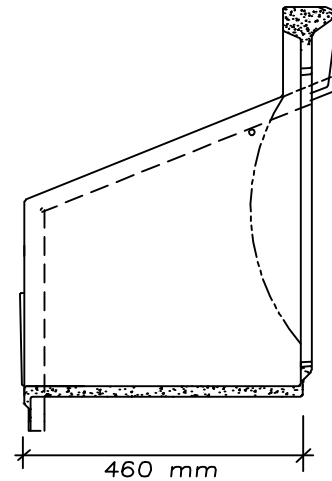
Type:
Standard -
45 Degree



Type:
Low Profile -
22.5 Degree



2 Series Fixed Spigot Headwall Low Profile



CAD FILE 2FShdLP22.Date: Jul. 2010
Drawn by: JK.
Scale: nts.