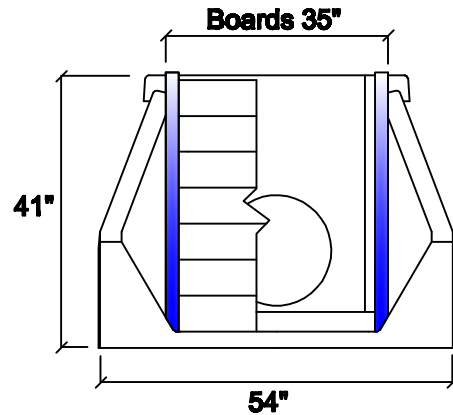
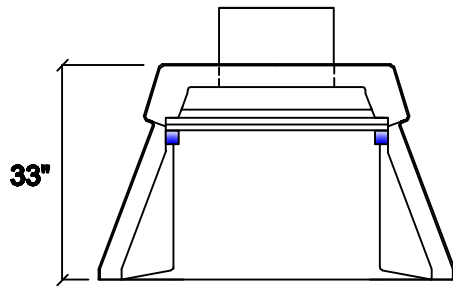


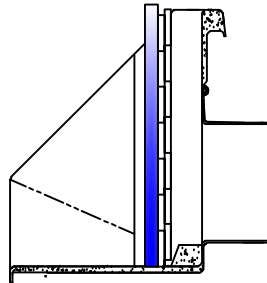


**CIF COMPOSITES INC.**

*Design, fabrication and consultants since 1973  
Manufacturers of Pro-Eco-Lite Products*



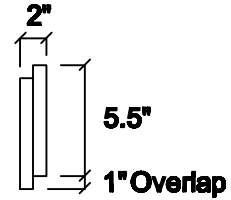
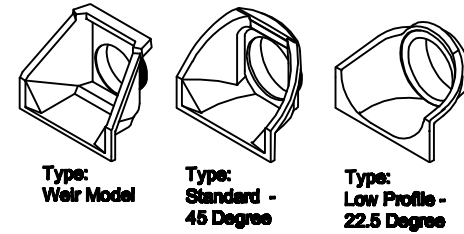
**IMPORTANT**  
This design drawing  
is the property of  
CIF COMPOSITES INC.  
and is distributed for reference  
purpose only.



**PRO-ECO-LITE™**

**3-Series Weir Headwall Structure**

CIF Product Code: 3F8cw Canadian Patent # 92137  
US Patent #D447,543



Section of typical board.

**NOTES:**

- Removable weir boards.
- Attach to all pipe types.
- FRP stub or belled end available for concrete connection.
- Maximum pipe size 24"
- Color concrete beige.