



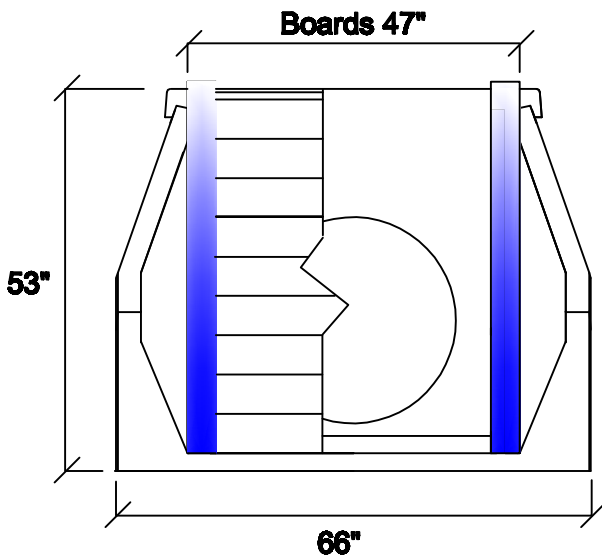
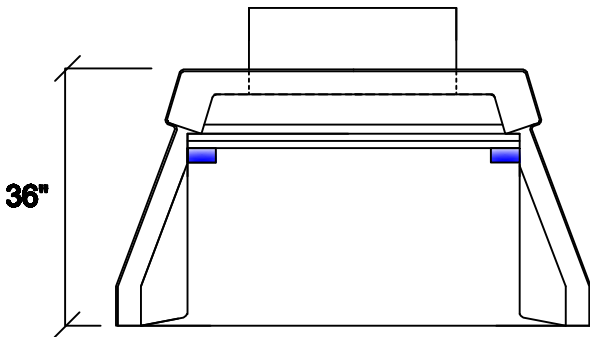
CIF COMPOSITES INC.

*Design, fabrication and consultants since 1973
Manufacturers of Pro-Eco-Lite Products*

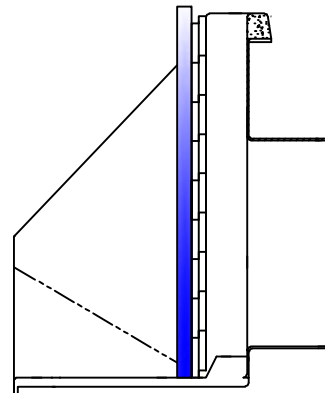
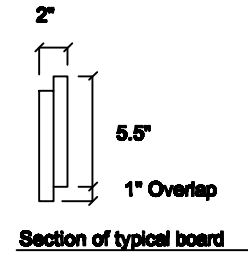
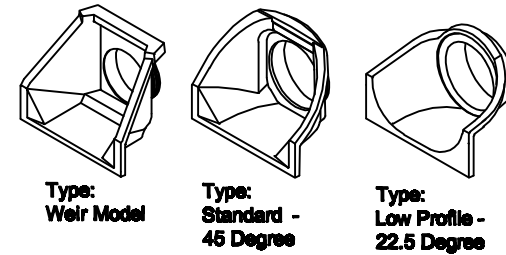
PRO-ECO-LITE™

4-Series Weir Headwall Structure

**CIF Product Code: 4FSew Canadian Patent # 92137
US Patent #D447,543**



IMPORTANT
This design drawing
is the property of
CIF COMPOSITES INC.
and is distributed for reference
purposes only.



NOTES:

- Removable weir boards.
- Attach to all pipe types.
- FRP stub or belled end available for concrete connection.
- Maximum pipe size 36"
- Color concrete beige.