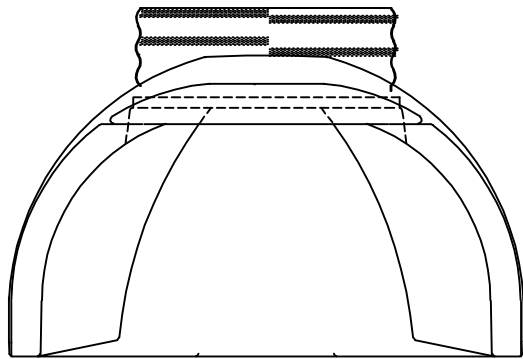




4- series 45 deg. Headwall Structure

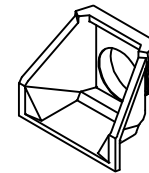
CIF Product Code: 4XPHD
 Canadian Patent # 92136 - US Patent # 447,544
 (s/s insert bolts washers and caulk supplied)

PRO-ECO-LITE™



4XPhd

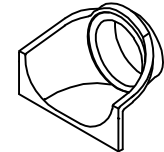
IMPORTANT
 This design drawing
 is the property of
 CIF COMPOSITES INC.
 and is distributed for reference
 purposes only.



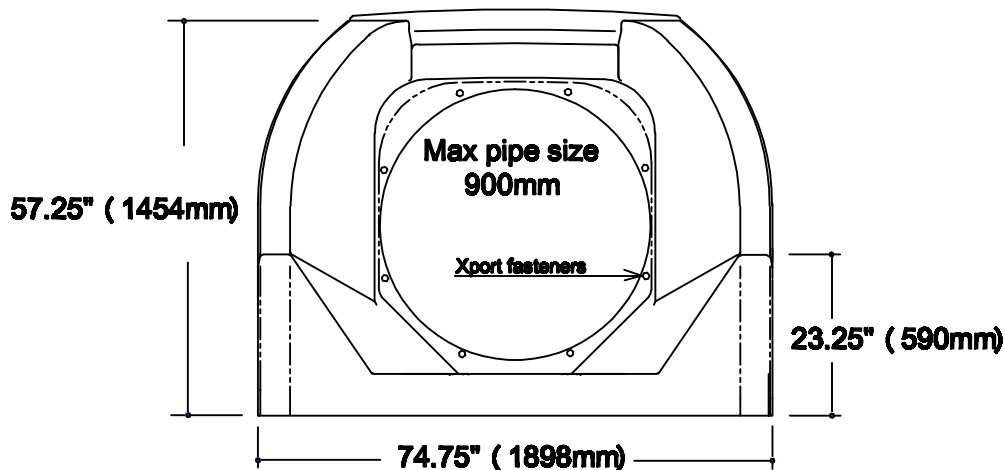
Type:
Weir Model



Type:
Standard Style -
45 Degree



Type:
Low Profile -
22.5 Degree



4 Series Xport Headwall

