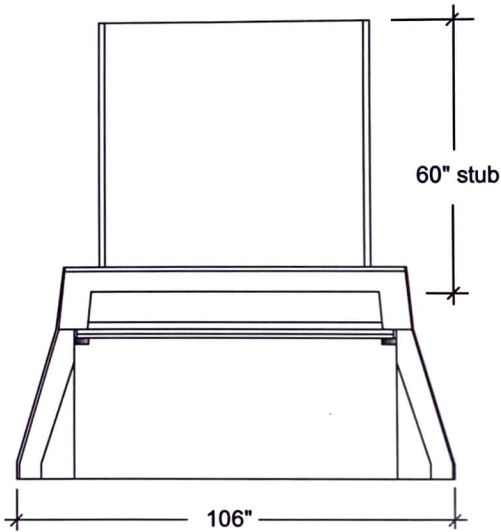
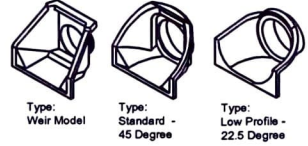




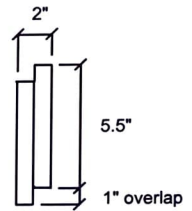
**CIF COMPOSITES INC.**  
Design, fabrication and consultants since 1973  
Manufacturers of Pro-Eco-Life Products

5-Series Weir Headwall Structure

CIF Product Code: 5FSCW  
Canadian Patent # 92136 - US Patent # 447,544



**IMPORTANT**  
This design drawing  
is the property of  
CIF COMPOSITES INC.  
and is distributed for reference  
purposes only.



Section of typical board

