

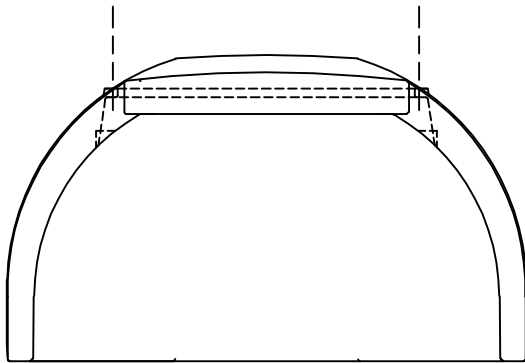


CIF
COMPOSITES INC.

5-Series 22.5 deg. Headwall Structure

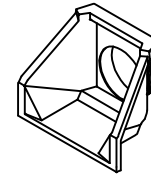
CIF Product Code: 5XPhdLP
Canadian Patent # 92136 - US Patent # 447,544
(s/s insert bolts washers and caulk supplied)

PRO-ECO-LITE™

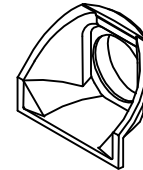


5XPhdLP

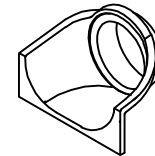
IMPORTANT
This design drawing
is the property of
CIF COMPOSITES INC.
and is distributed for reference
purposes only.



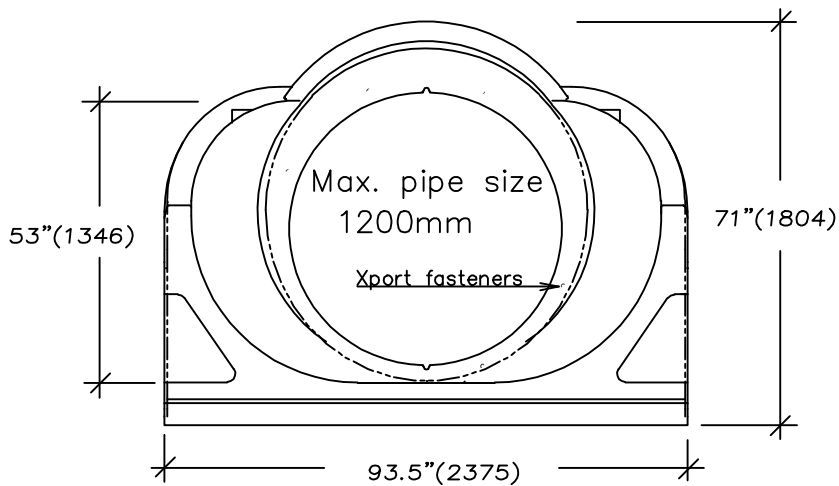
Type:
Weir Model



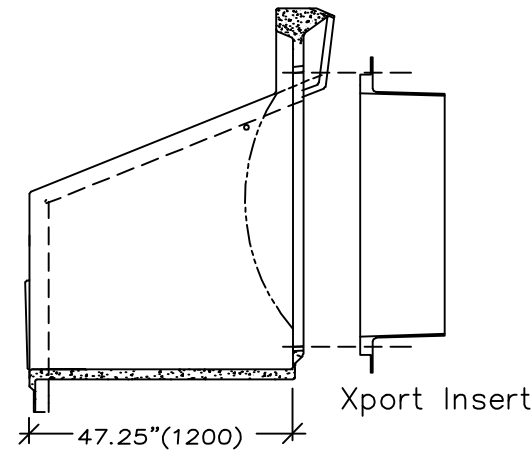
Type:
Standard -
45 Degree



Type:
Low Profile -
22.5 Degree



5 Series Xport Headwall Low Profile



Xport Insert