

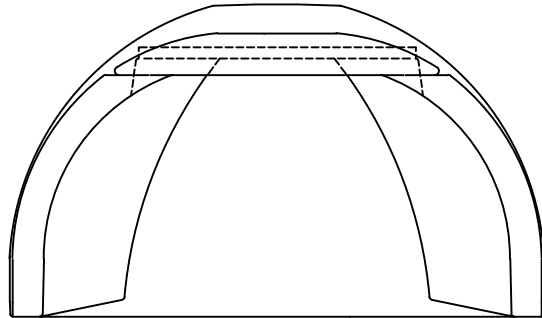


*CIF*  
**COMPOSITES INC.**

### 5-Series 45 deg. Headwall Structure

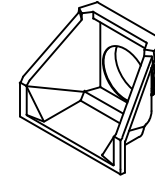
CIF Product Code: 5XPhd  
 Canadian Patent # 92136 - US Patent # 447,544  
 (s/s insert bolts washers and caulk supplied)

**PRO-ECO-LITE™**

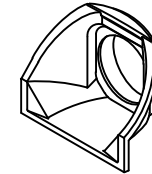


5XPhd

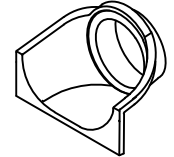
**IMPORTANT**  
 This design drawing  
 is the property of  
 CIF COMPOSITES INC.  
 and is distributed for reference  
 purposes only.



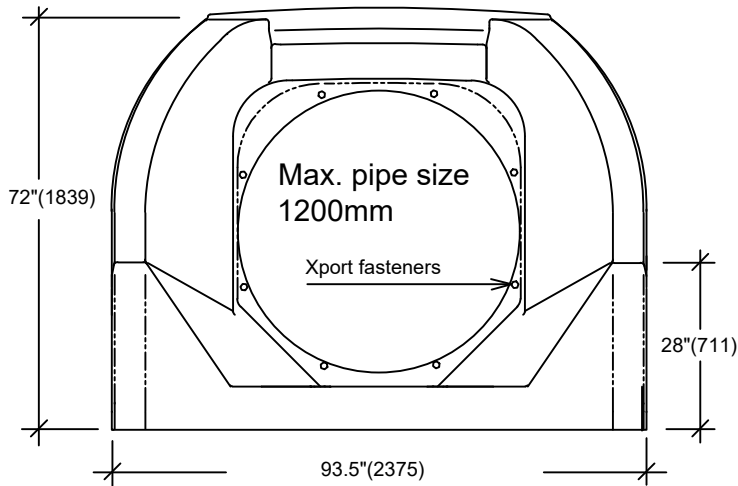
Type:  
Weir Model



Type:  
Standard Style -  
45 Degree



Type:  
Low Profile -  
22.5 Degree



5 Series Xport Headwall

