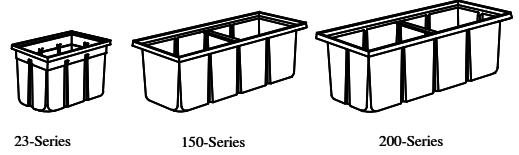




**CIF**  
**COMPOSITES INC.**

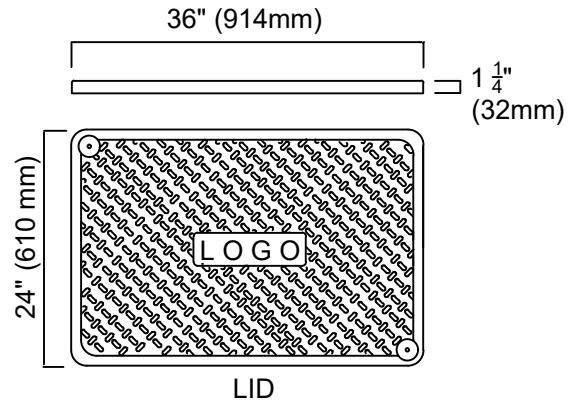
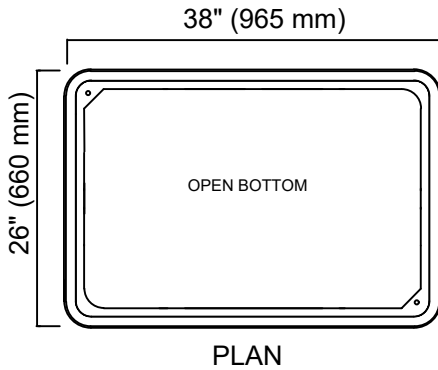


1810 Verling Ave. Saanichton, BC V8M 1X6. (250)652-6313

www.cifcomposites.com

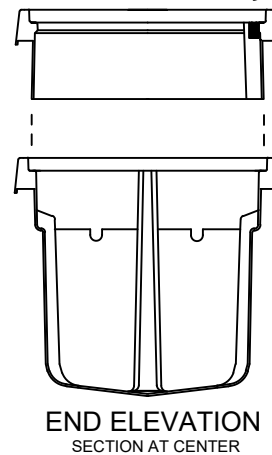
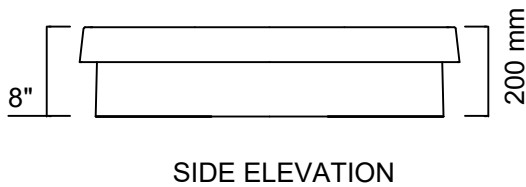
PRO – ECO – LITE <sup>TM</sup>

## 23 - SERIES



**IMPORTANT**  
This design and drawing is the property of CIF COMPOSITES INC. it is distributed for reference purposes only.

Use Penta Head Bolt to secure lid.



**CODE: 23CIG8L**

**LOCKING SERVICE BOX RISER**

DRAWN BY: J.K.

BOX: 30 LBS.

SCALE: NTS.

LID: 70LBS.

DATE:

LOAD RATING:

REV. DATE:

MATERIAL: Fiberglass

**NOTES:**

- Actual load rating determined by box/ lid combination
- Service box designed for boulevard use.
- Backfill with coarse sand / tamping responsibility of others.

This design and drawing is the property of CIF COMPOSITES LTD.  
it is distributed for reference purposes only.